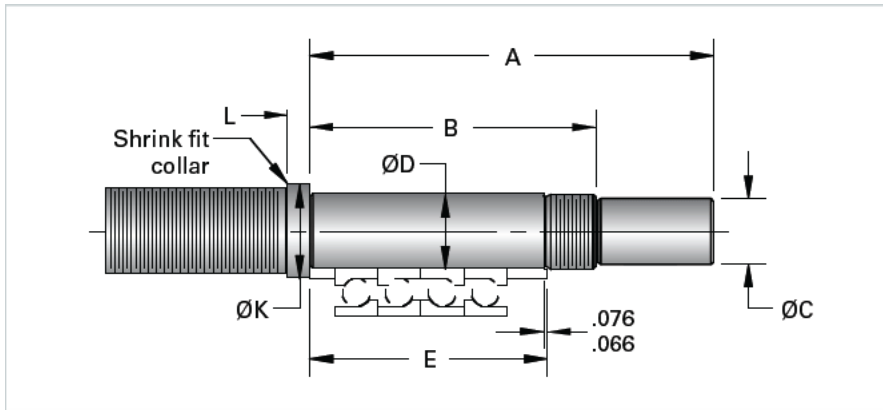


Type 5L, End Code 12

Call 800-321-7800 or visit us online at www.nookindustries.com to configure and order your Type 5L, End Code 12 today!



Product Info

Nominal Bearing Journal Size [mm] 12

Dimensions

| | |
|----------------|----------|
| A [mm] | 117 |
| B [mm] | 85 |
| C Maximum [mm] | 10.00 |
| C Minimum [mm] | 9.97 |
| D Maximum [mm] | 12.008 |
| D Minimum [mm] | 11.997 |
| E [mm] | 69 |
| K [mm] | 18 |
| L [mm] | 8 |
| Lock Nut | SFZ 12X1 |