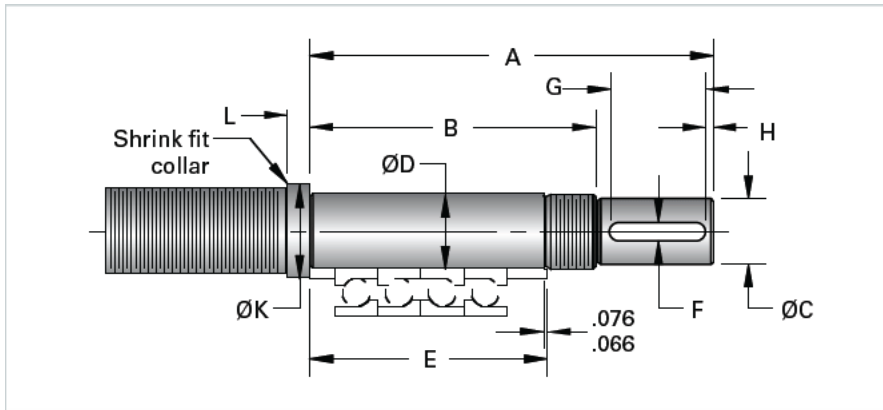


Type 5K, End Code 20

Call 800-321-7800 or visit us online at www.nookindustries.com to configure and order your Type 5K, End Code 20 today!



Product Info

Nominal Bearing Journal Size [mm] 20

Dimensions

| | |
|----------------|----------|
| A [mm] | 151 |
| B [mm] | 105 |
| C Maximum [mm] | 17 |
| C Minimum [mm] | 16.97 |
| D Maximum [mm] | 20.009 |
| D Minimum [mm] | 19.996 |
| E [mm] | 84 |
| F [mm] | 5 |
| G [mm] | 37 |
| H [mm] | 4 |
| K [mm] | 28 |
| L [mm] | 9 |
| Lock Nut | SFZ 20X1 |