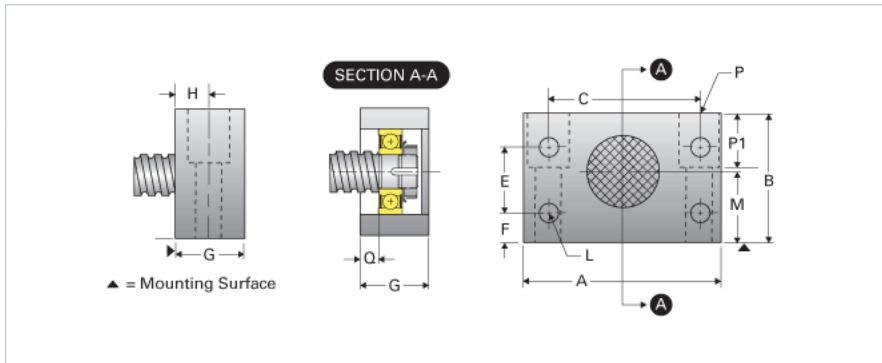
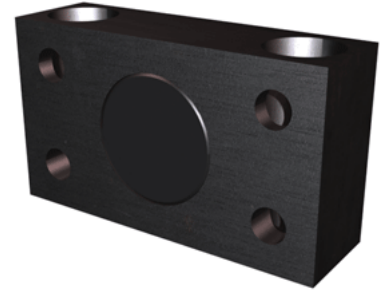


EZZE-MOUNT EZM-4025

Call 800-321-7800 or visit us online at www.nookindustries.com to configure and order your EZZE-MOUNT EZM-4025 today!



Product Info

| | |
|-----------------------------------|----------|
| Part Number | EZM-4025 |
| Machined End Code | 25 |
| Nominal Bearing Journal Size [mm] | 25 |

Dimensions

| | |
|---------------------------|---------------|
| A [in] | 6.50 |
| B [in] | 3.69 |
| C [in] | 4.75 |
| E [in] | 2.00 |
| F [in] | 0.88 |
| G [in] | 1.94 |
| H [in] | 0.97 |
| L Holes [Number of Holes] | 4 |
| L Thru [in] | 0.66 |
| M [in] | 1.875 |
| P C'Bore [in] | 1.38 |
| P P1 [in] | 1.75 |
| Q [in] | 0.52 |
| P - Bolt Size (2 or 4) | 7/8 x3 1/4(2) |
| P-Thru [in] | 0.91 |

Weight

| | |
|-------------|------|
| Weight [lb] | 8.50 |
|-------------|------|