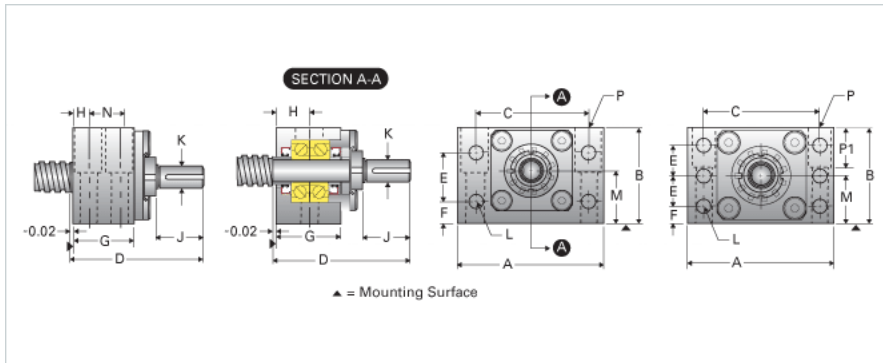
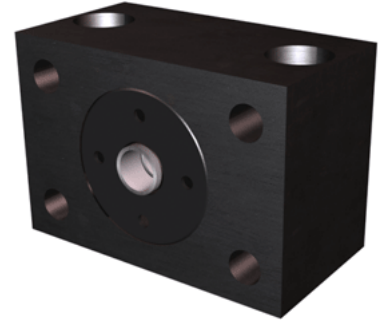


EZZE-MOUNT EZM-1008

Call 800-321-7800 or visit us online at www.nookindustries.com to configure and order your EZZE-MOUNT EZM-1008 today!



Product Info

| | |
|-----------------------------------|----------|
| Part Number | EZM-1008 |
| Machined End Code | 8 |
| Nominal Bearing Journal Size [mm] | 8 |

Dimensions

| | |
|-------------------------------|----------------|
| A [in] | 2.00 |
| B [in] | 1.38 |
| C [in] | 1.50 |
| D [in] | 2.00 |
| E [in] | 0.88 |
| F [in] | 0.25 |
| G [in] | 1.06 |
| H [in] | 0.50 |
| J [in] | 0.56 |
| K Shaft Diameter Maximum [in] | 0.250 |
| K Shaft Diameter Minimum [in] | 0.249 |
| L Holes [Number of Holes] | 4 |
| L Thru [in] | 0.22 |
| M [in] | 0.687 |
| N [in] | - |
| P C'Bore [in] | 0.41 |
| P P1 [in] | 0.41 |
| Q [in] | 0.19 |
| P - Bolt Size (2 or 4) | 1/4 x 1 3/8(2) |
| P-Thru [in] | 0.28 |

Weight

| | |
|-------------|------|
| Weight [lb] | 0.66 |
|-------------|------|