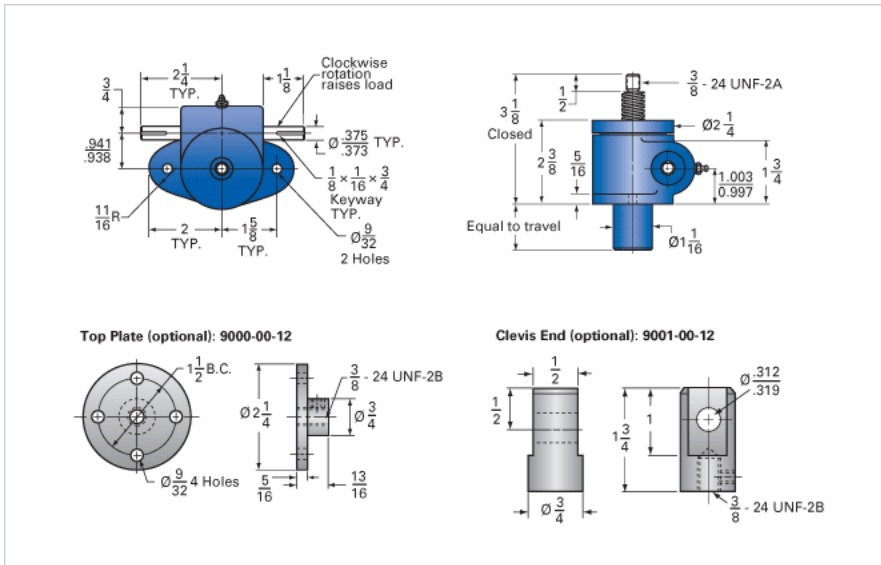


## ActionJac MJ-100-UK 20:1

Call 800-321-7800 or visit us online at [www.nookindustries.com](http://www.nookindustries.com) to configure and order your ActionJac MJ-100-UK 20:1 today!



### Details

|                               |        |
|-------------------------------|--------|
| Capacity [Ton]                | 0.5    |
| Gear Ratio                    | 20:1   |
| Turns of Worm Per Inch Travel | 100    |
| Torque to Raise 1 lb. [in-lb] | 0.0100 |
| Lifting Screw Diameter [in]   | 0.63   |
| Screw Lead [in]               | 0.200  |
| Root Diameter [in]            | 0.377  |
| Tare Drag Torque [in-lb]      | 1      |

### Performance Specifications

|   |                    |
|---|--------------------|
| Maximum Allowable Input [hp]                          | 0.17               |
| Maximum Input Torque [in-lb]                          | 8.7                |
| Compression Loading Maximum Travel at 1000 lbs. [lbs] | 8.30               |
| Compression Loading Maximum Travel at Any Load [lbs]  | 9.38               |
| Maximum Worm Speed at Rated Load [rpm]                | 1050               |
| Travel Rate at 1750 rpm [in/min]                      | 18                 |
| Maximum Load at 1750 RPM [lb]                         | 670                |
| Starting Torque                                       | 2 x Running Torque |

### Weight

|                         |      |
|-------------------------|------|
| Base 0 Travel [lb]      | 2.5  |
| Per Inch of Travel [lb] | 0.20 |
| Grease [lb]             | 0.5  |