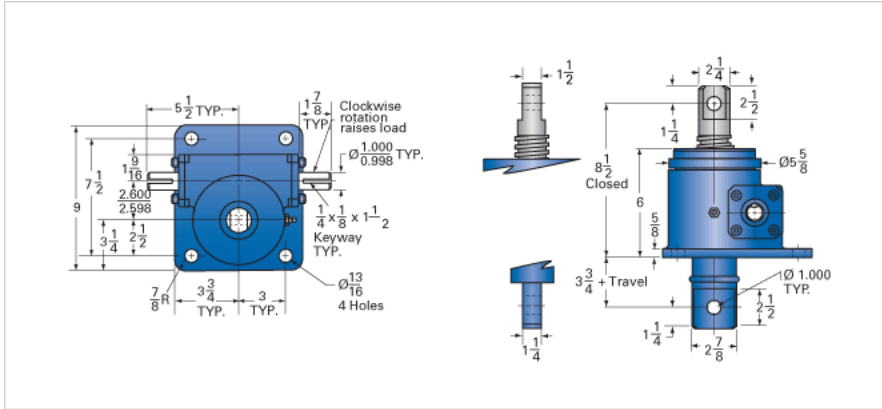


## ActionJac 15-MSJ-DC 24:1

Call 800-321-7800 or visit us online at [www.nookindustries.com](http://www.nookindustries.com) to configure and order your ActionJac 15-MSJ-DC 24:1 today!



### Details

Capacity [Ton]	15
Gear Ratio	24:1
Turns of Worm per Inch Travel	48
Torque to Raise 1 lb. [in-lb]	0.0218
Torque to Raise 1 lb. Keyed [in-lb]	0.0251
Lifting Screw Diameter [in]	2.25
Screw Lead [in]	0.500
Root Diameter [in]	1.684
Tare Drag Torque [in-lb]	20

### Performance Specifications

Maximum Allowable Input [hp]	1.50
Maximum Input Torque [in-lb]	654
Maximum Worm Speed at Rated Load Non-keyed [rpm]	144
Maximum Worm Speed at Rated Load Keyed [rpm]	125
Maximum Load at 1750 RPM Non-keyed [lb]	2478
Maximum Load at 1750 RPM Keyed [lb]	2152
Starting Torque	2 x Running Torque

### Weight

Base 0 Travel [lb]	55
Per Inch of Travel [lb]	1.40
Grease [lb]	1.5