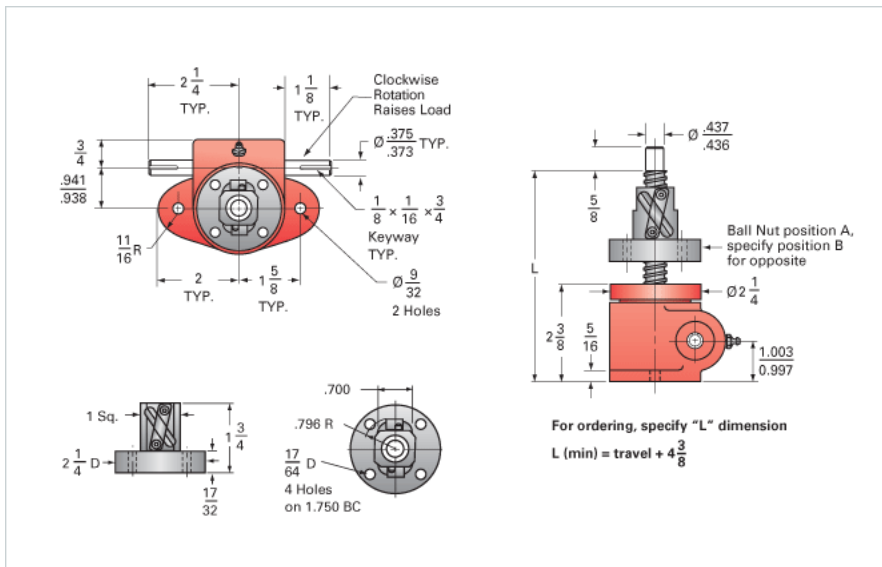


## ActionJac 0.5HL-BSJ-UR 20:1

Call 800-321-7800 or visit us online at [www.nookindustries.com](http://www.nookindustries.com) to configure and order your ActionJac 0.5HL-BSJ-UR 20:1 today!



### Details

Capacity [Ton]	0.5
Gear Ratio	20:1
Turns of Worm per Inch Travel	40
Torque to Raise 1 lb. [in-lb]	0.0102
Lifting Screw Diameter [in]	0.63
Screw Lead [in]	0.500
Root Diameter [in]	0.500
BackDrive Holding Torque [ft-lb]	1
Tare Drag Torque [in-lb]	1

### Performance Specifications

Maximum Allowable Input [hp]	0.17
Maximum Input Torque [in-lb]	10.2
Maximum Worm Speed at Rated Load [rpm]	1030
Maximum Load at 1750 RPM [lb]	588
Starting Torque	1.5 x Running Torque

### Weight

Base 0 Travel [lb]	3
Per Inch of Travel [lb]	0.03
Grease [lb]	0.6