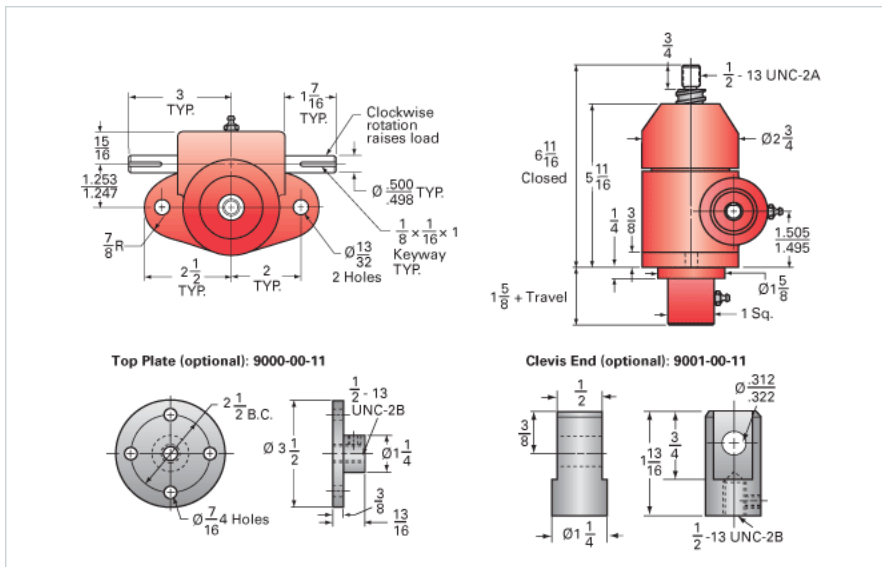


## ActionJac 1HL-BSJ-UK 5:1

Call 800-321-7800 or visit us online at [www.nookindustries.com](http://www.nookindustries.com) to configure and order your ActionJac 1HL-BSJ-UK 5:1 today!



### Details

Capacity [Ton]	1
Gear Ratio	5:1
Turns of Worm per Inch Travel	10
Torque to Raise 1 lb. [in-lb]	0.0265
Lifting Screw Diameter [in]	0.75
Screw Lead [in]	0.500
Root Diameter [in]	0.602
BackDrive Holding Torque [ft-lb]	3.5
Tare Drag Torque [in-lb]	3

### Performance Specifications

Maximum Allowable Input [hp]	0.50
Maximum Input Torque [in-lb]	48.2
Maximum Worm Speed at Rated Load [rpm]	595
Maximum Load at 1750 RPM [lb]	680
Starting Torque	1.5 x Running Torque

### Weight

Base 0 Travel [lb]	8
Per Inch of Travel [lb]	0.04
Grease [lb]	0.5