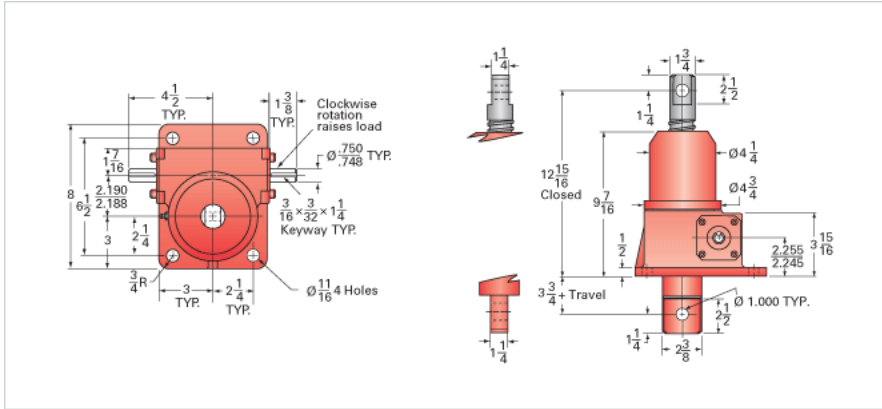


## ActionJac 5-BSJ-DC 24:1

Call 800-321-7800 or visit us online at [www.nookindustries.com](http://www.nookindustries.com) to configure and order your ActionJac 5-BSJ-DC 24:1 today!



### Details

Capacity [Ton]	5
Gear Ratio	24:1
Turns of Worm per Inch Travel	50.66
Torque to Raise 1 lb. [in-lb]	0.0073
Torque to Raise 1 lb. Keyed [in-lb]	0.0080
Lifting Screw Diameter [in]	1.50
Screw Lead [in]	0.473
Root Diameter [in]	1.140
BackDrive Holding Torque [ft-lb]	5.0
Tare Drag Torque [in-lb]	10

### Performance Specifications

Maximum Allowable Input [hp]	0.75
Maximum Input Torque [in-lb]	73
Maximum Worm Speed at Rated Load Non-keyed [rpm]	647
Maximum Worm Speed at Rated Load Keyed [rpm]	590
Maximum Load at 1750 RPM Non-keyed [lb]	3700
Maximum Load at 1750 RPM Keyed [lb]	3376
Starting Torque	1.5 x Running Torque

### Weight

Base 0 Travel [lb]	35
Per Inch of Travel [lb]	0.60
Grease [lb]	1.0