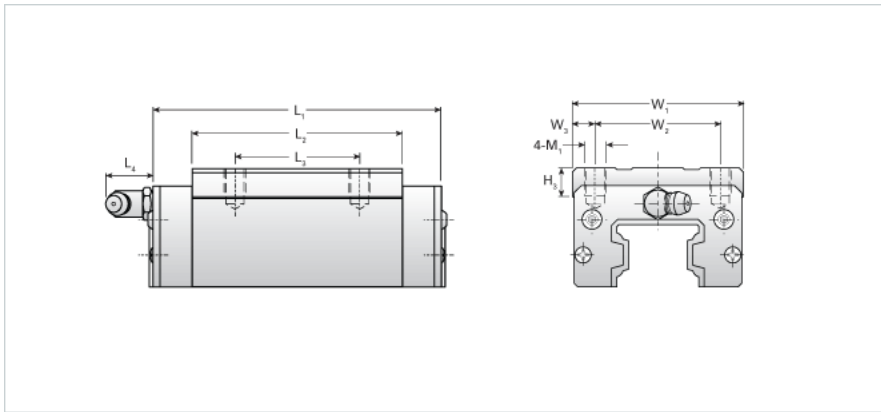
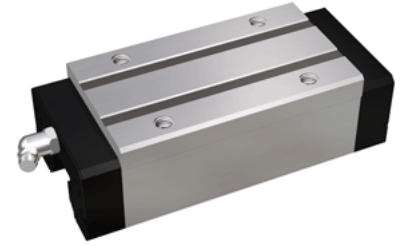


NH45LER

Call 800-321-7800 or visit us online at www.nookindustries.com to configure and order your NH45LER today!



Details	
Size [mm]	45
Dimensions	
L1 [mm]	167
L2 [mm]	130
L3 [mm]	80
L4 [mm]	16
M1 x l	M10x17
H3 [mm]	15
W1 [mm]	86
W2 [mm]	60
W3 [mm]	13
Forces and Torques	
Basic Load Ratings C [kN]	80.61
Basic Load Ratings C [lbf]	18116
Basic Load Ratings C0 [kN]	127.48
Basic Load Ratings C0 [lbf]	28651
Static Moment Ratings-Ma [kN-m]	2.11
Static Moment Ratings-Ma [lb-in]	18662
Static Moment Ratings-Mb [kN-m]	2.11
Static Moment Ratings-Mb [lb-in]	18662
Static Moment Ratings-Mc [kN-m]	3.13
Static Moment Ratings-Mc [lb-in]	27689
Weight	
Weight-Block [kg]	3.70
Grease Fitting	
Grease Fitting Part Number	B-PT 1/8