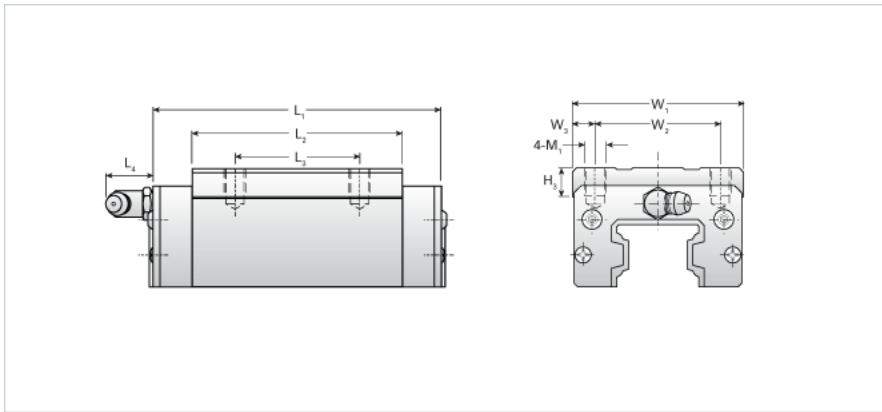


NH35LER

Call 800-321-7800 or visit us online at www.nookindustries.com to configure and order your NH35LER today!



Details

Size [mm] 35

Dimensions

L1 [mm] 141
 L2 [mm] 109
 L3 [mm] 72
 L4 [mm] 12
 M1 x l M8X12
 H3 [mm] 10
 W1 [mm] 70
 W2 [mm] 50
 W3 [mm] 10

Forces and Torques

Basic Load Ratings C [kN] 50.30
 Basic Load Ratings C [lbf] 11306
 Basic Load Ratings C0 [kN] 81.59
 Basic Load Ratings C0 [lbf] 18337
 Static Moment Ratings-Ma [kN-m] 1.13
 Static Moment Ratings-Ma [lbf-in] 9982
 Static Moment Ratings-Mb [kN-m] 1.13
 Static Moment Ratings-Mb [lbf-in] 9982
 Static Moment Ratings-Mc [kN-m] 1.64
 Static Moment Ratings-Mc [lbf-in] 14496

Weight

Weight-Block [kg] 2.20

Grease Fitting

Grease Fitting Part Number B-M6F