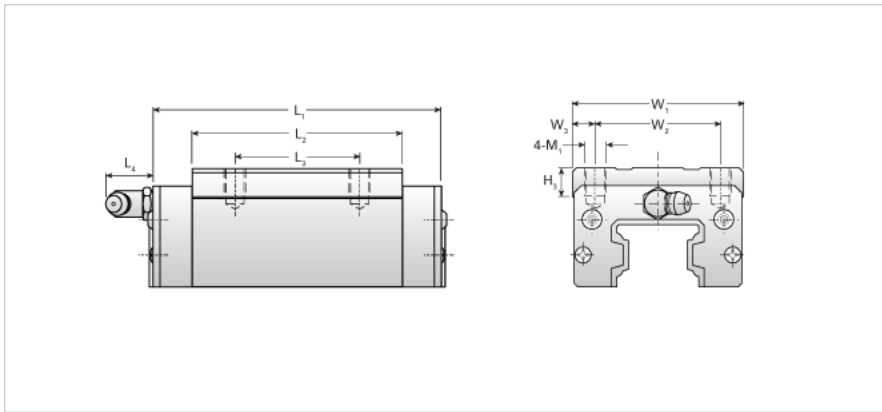
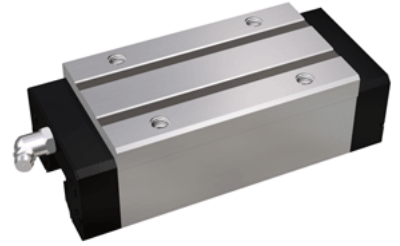


## NH30LER

Call 800-321-7800 or visit us online at [www.nookindustries.com](http://www.nookindustries.com) to configure and order your NH30LER today!



### Details

Size [mm] 30

### Dimensions

L1 [mm] 123  
 L2 [mm] 94  
 L3 [mm] 60  
 L4 [mm] 12  
 M1 x l M8X10  
 H3 [mm] 8  
 W1 [mm] 60  
 W2 [mm] 40  
 W3 [mm] 10

### Forces and Torques

Basic Load Ratings C [kN] 37.55  
 Basic Load Ratings C [lbf] 8441  
 Basic Load Ratings C0 [kN] 62.56  
 Basic Load Ratings C0 [lbf] 14061  
 Static Moment Ratings-Ma [kN-m] 0.73  
 Static Moment Ratings-Ma [lb-in] 6423  
 Static Moment Ratings-Mb [kN-m] 0.73  
 Static Moment Ratings-Mb [lb-in] 6423  
 Static Moment Ratings-Mc [kN-m] 0.98  
 Static Moment Ratings-Mc [lb-in] 8680

### Weight

Weight-Block [kg] 1.40

### Grease Fitting

Grease Fitting Part Number B-M6F