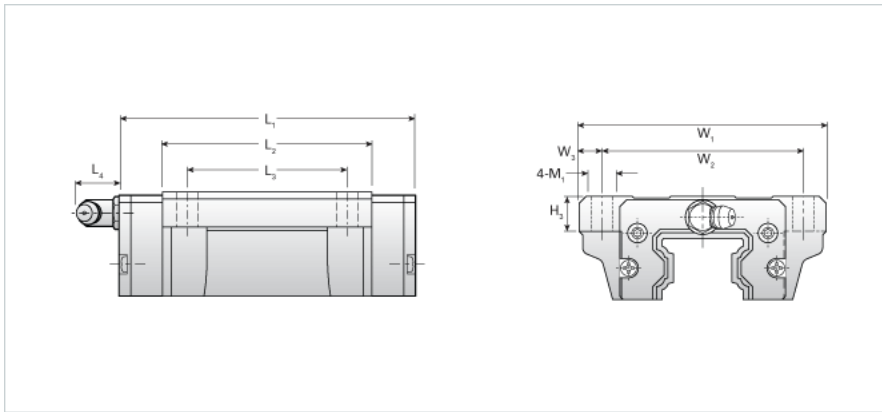
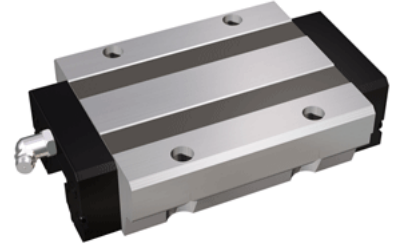


NH35LEB

Call 800-321-7800 or visit us online at www.nookindustries.com to configure and order your NH35LEB today!



| Details | |
|----------------------------------|-------|
| Size [mm] | 35 |
| Dimensions | |
| L1 [mm] | 141 |
| L2 [mm] | 109 |
| L3 [mm] | 62 |
| L4 [mm] | 12 |
| H3 [mm] | 13 |
| W1 [mm] | 100 |
| W2 [mm] | 82 |
| W3 [mm] | 9 |
| M1 [mm] | 9 |
| Forces and Torques | |
| Basic Load Ratings C [kN] | 50.30 |
| Basic Load Ratings C [lbf] | 11306 |
| Basic Load Ratings C0 [kN] | 81.59 |
| Basic Load Ratings C0 [lbf] | 18337 |
| Static Moment Ratings-Ma [kN-m] | 1.13 |
| Static Moment Ratings-Ma [lb-in] | 9982 |
| Static Moment Ratings-Mb [kN-m] | 1.13 |
| Static Moment Ratings-Mb [lb-in] | 9982 |
| Static Moment Ratings-Mc [kN-m] | 1.64 |
| Static Moment Ratings-Mc [lb-in] | 14496 |
| Weight | |
| Weight-Block [kg] | 2.50 |
| Grease Fitting | |
| Grease Fitting Part Number | B-M6F |