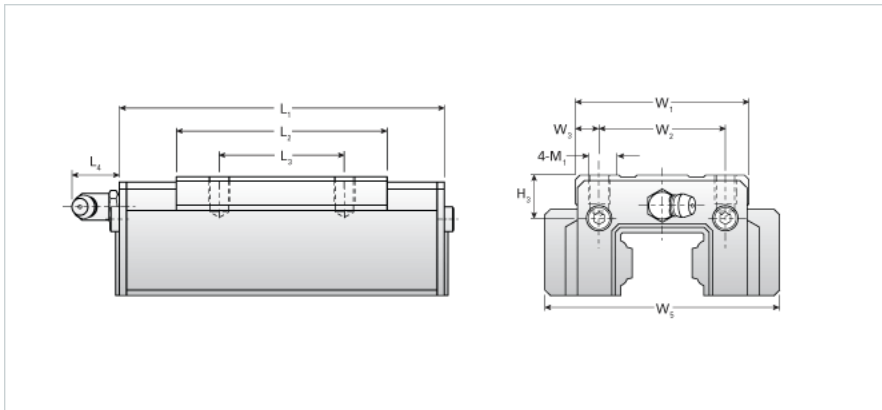
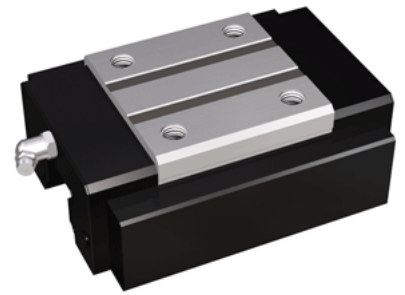


NH45TR

Call 800-321-7800 or visit us online at www.nookindustries.com to configure and order your NH45TR today!



Details

Size [mm] 45

Dimensions

H3 [mm] 15
 L1 [mm] 158
 L2 [mm] 102
 L3 [mm] 60
 L4 [mm] 15
 M1 x l M10X17
 W1 [mm] 86
 W2 [mm] 60
 W3 [mm] 13
 W5 [mm] 112

Forces and Torques

Basic Load Ratings C [kN] 60.20
 Basic Load Ratings C [lbf] 13532
 Basic Load Ratings C0 [kN] 95.71
 Basic Load Ratings C0 [lbf] 21510
 Static Moment Ratings-Ma [kN-m] 1.30
 Static Moment Ratings-Ma [lb-in] 11544
 Static Moment Ratings-Mb [kN-m] 1.30
 Static Moment Ratings-Mb [lb-in] 11544
 Static Moment Ratings-Mc [kN-m] 2.30
 Static Moment Ratings-Mc [lb-in] 20398

Weight

Weight-Block [kg] 2.80

Grease Fitting

Grease Fitting Part Number B-PT 1/8