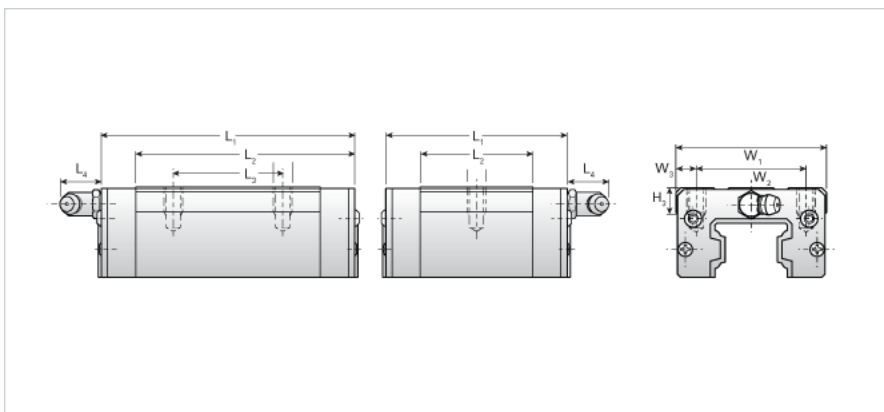
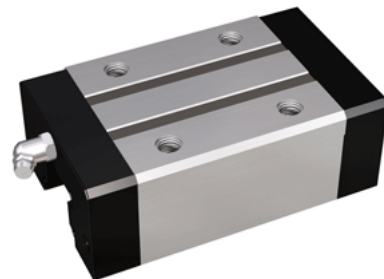


## NU30ER

Call 800-321-7800 or visit us online at [www.nookindustries.com](http://www.nookindustries.com) to configure and order your NU30ER today!



### Details

Size [mm] 30

### Dimensions

L1 [mm] 97  
 L2 [mm] 68  
 L3 [mm] 40  
 L4 [mm] 12  
 H3 [mm] 8  
 M1 x l M8X10  
 W1 [mm] 60  
 W2 [mm] 40  
 W3 [mm] 10

### Forces and Torques

Basic Load Ratings C [kN] 28.24  
 Basic Load Ratings C [lbf] 6347  
 Basic Load Ratings C0 [kN] 46.86  
 Basic Load Ratings C0 [lbf] 10535  
 Static Moment Ratings-Ma [kN-m] 0.43  
 Static Moment Ratings-Ma [lb-in] 3819  
 Static Moment Ratings-Mb [kN-m] 0.43  
 Static Moment Ratings-Mb [lb-in] 3819  
 Static Moment Ratings-Mc [kN-m] 0.72  
 Static Moment Ratings-Mc [lb-in] 6336

### Weight

Weight-Block [kg] 0.90

### Grease Fitting

Grease Fitting Part Number B-M6F