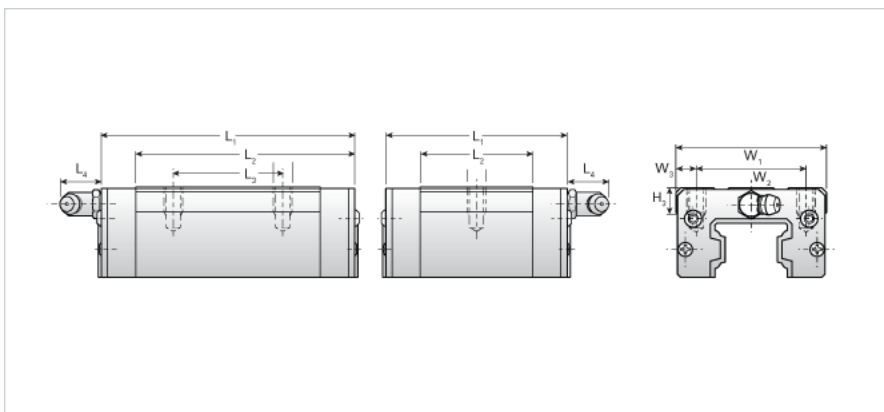


NU15ER

Call 800-321-7800 or visit us online at www.nookindustries.com to configure and order your NU15ER today!



Details	
Size [mm]	15
Dimensions	
L1 [mm]	58.5
L2 [mm]	38.5
L3 [mm]	26
L4 [mm]	0
H3 [mm]	6
M1 x l	M4X5
W1 [mm]	34
W2 [mm]	26
W3 [mm]	4
Forces and Torques	
Basic Load Ratings C [kN]	8.43
Basic Load Ratings C [lbf]	1895
Basic Load Ratings C0 [kN]	13.53
Basic Load Ratings C0 [lbf]	3041
Static Moment Ratings-Ma [kN-m]	0.07
Static Moment Ratings-Ma [lb-in]	608
Static Moment Ratings-Mb [kN-m]	0.07
Static Moment Ratings-Mb [lb-in]	608
Static Moment Ratings-Mc [kN-m]	0.13
Static Moment Ratings-Mc [lb-in]	1128
Weight	
Weight-Block [kg]	0.13
Grease Fitting	
Grease Fitting Part Number	NAS516-1A