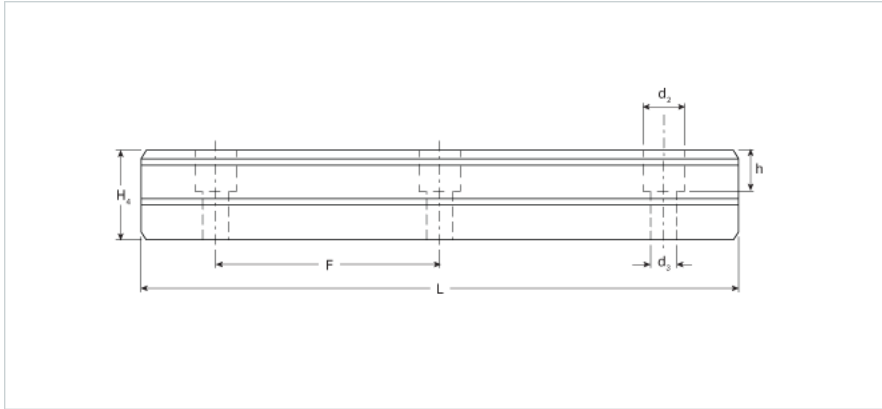


## NH-20

Call 800-321-7800 or visit us online at [www.nookindustries.com](http://www.nookindustries.com) to configure and order your NH-20 today!



### Details

Size [mm]	20
Type	Standard

### Dimensions

d2 [mm]	9.5
d3 [mm]	6
h [mm]	11
H4 [mm]	21
F [mm]	60
W [mm]	20
Maximum Length [mm]	3000

### Weight

Weights-Rail [kg/m]	2.5
---------------------	-----