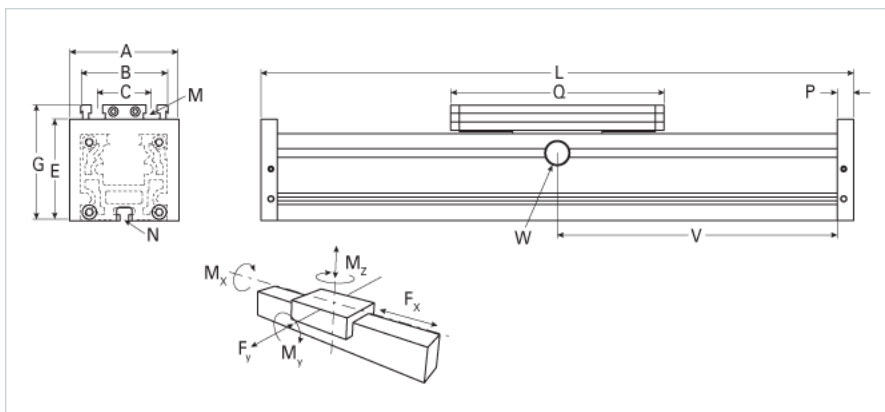
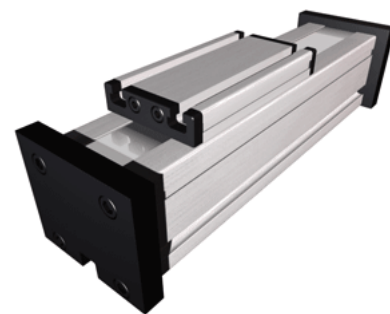


## QLR 60

Call 800-321-7800 or visit us online at [www.nookindustries.com](http://www.nookindustries.com) to configure and order your QLR 60 today!



Details	
Size	60
Dimensions	
Basic Length L [mm]	180
A [mm]	80
B [mm]	60
C [mm]	36
E [mm]	60
G [mm]	79
M	M6
N	M5
P [mm]	12
Q [mm]	152
Speed	
Speed Maximum [m/s]	4
Forces and Torques	
F <sub>x</sub> dynamic [N]	-
F <sub>y</sub> dynamic [N]	500
F <sub>z</sub> dynamic [N]	650
M <sub>x</sub> dynamic [Nm]	10
M <sub>y</sub> dynamic [Nm]	50
M <sub>z</sub> dynamic [Nm]	30
F <sub>x</sub> static [N]	-
F <sub>y</sub> static [N]	600
F <sub>z</sub> static [N]	900
M <sub>x</sub> static [Nm]	15
M <sub>y</sub> static [Nm]	60
M <sub>z</sub> static [Nm]	40
Geometrical moments of inertia of aluminum profile	
Elastic modulus [N/mm <sup>2</sup> ]	70000
I <sub>x</sub> [mm <sup>4</sup> ]	430000
I <sub>y</sub> [mm <sup>4</sup> ]	480000
Weight	
Additional Weight per 100 mm [kg]	0.36
Basic Weight [kg]	1.5