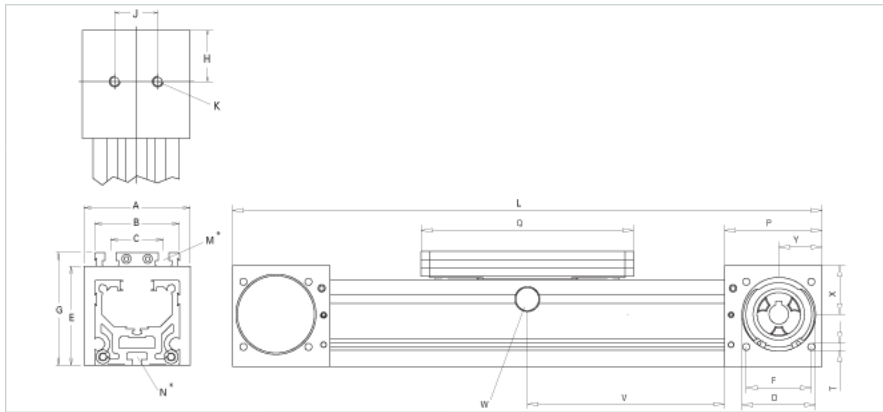
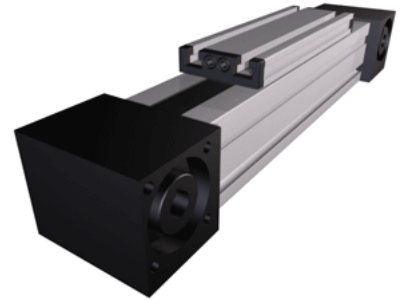


QSZ 80

Call 800-321-7800 or visit us online at www.nookindustries.com to configure and order your QSZ 80 today!



Details

Size	80
Belt	8M30
mm/Rev	176
Number of Teeth	22

Dimensions

Basic Length L [mm]	430
A [mm]	100
B [mm]	80
C [mm]	50
D [mm]	68
E [mm]	93
F [mm]	60
G [mm]	106
J [mm]	40
K	M10
M	M8
N	M6
P [mm]	90
Q [mm]	232
T	M8
X [mm]	45
Y [mm]	40
Shaft Diameter and Length [mm]	18 x 45
Key	6x6x40

Speed

Speed Maximum [m/s]	5
---------------------	---

Forces and Torques

No-load torque [Nm]	1.4
Fx [N] 10000 km	1800
Fy [N] 10000 km	450
Fz [N] 10000 km	3933
Mx [Nm] 10000 km	33
My [Nm] 10000 km	222
Mz [Nm] 10000 km	210
Fx [N] 5000 km	1900
Fy [N] 5000 km	567
Fz [N] 5000 km	4955
Mx [Nm] 5000 km	41
My [Nm] 5000 km	310
Mz [Nm] 5000 km	296
Tensile force 0.2 sec [N]	2090
Tensile force permanent [N]	1900

Geometrical moments of inertia of aluminum profile

Elastic modulus [N/mm ²]	70000
Ix [mm ⁴]	1650000
Iy [mm ⁴]	1870000

Weight

Additional Weight per 100 mm [kg]	1.02
Basic Weight [kg]	10.4

Values for Calculating Inertias

Pulley Material	Steel
Pulley Diameter [mm]	56.02
Effective Pulley Width [mm]	100

Belt Weight [kg/m]	0.256
Standard Carriage Weight [kg]	2.34
No-load torque [Nm]	1.4
Friction Coefficient	0.01