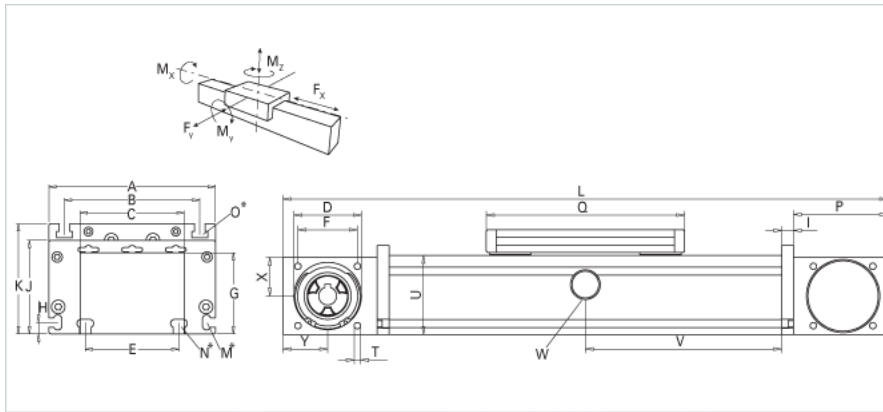
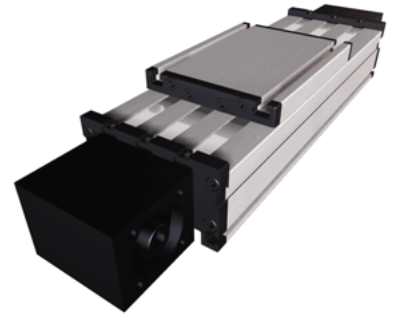


DSZ 160

Call 800-321-7800 or visit us online at www.nookindustries.com to configure and order your DSZ 160 today!



Details

Size	160
Belt	8M30/8M50
mm/Rev	176/224
Number of Teeth	22/28

Dimensions

Basic Length L [mm]	440
A [mm]	160
B [mm]	130
C [mm]	100
D [mm]	68
E [mm]	90
F [mm]	60
G [mm]	78
H [mm]	11
I [mm]	12
J [mm]	90
K [mm]	106
M	M6
N	M8
O	M8
P [mm]	95
Q [mm]	200
T	M8
U [mm]	80
X [mm]	39
Y [mm]	45

Speed

Speed Maximum [m/s]	5
---------------------	---

Forces and Torques

No-load torque with cover bands	2.1
No-load torque without cover bands	1.5
F _x [N] 10000 km	1800
F _y [N] 10000 km	3900
F _z [N] 10000 km	5020
M _x [Nm] 10000 km	255
M _y [Nm] 10000 km	262
M _z [Nm] 10000 km	258
F _x [N] 5000 km	1900
F _y [N] 5000 km	5570
F _z [N] 5000 km	7050
M _x [Nm] 5000 km	358
M _y [Nm] 5000 km	369
M _z [Nm] 5000 km	364
Tensile force 0.2 sec [N]	2090
Tensile force permanent [N]	1900

Geometrical moments of inertia of aluminum profile

Elastic modulus [N/mm ²]	70000
I _x [mm ⁴]	2130000
I _y [mm ⁴]	12330000

Weight

Additional Weight per 100 mm [kg]	1.90
Basic Weight [kg]	12.0

Values for Calculating Inertias

Pulley Material	Aluminum
Pulley Diameter [mm]	56.02
Effective Pulley Width [mm]	100
Belt Weight [kg/m]	0.256
Standard Carriage Weight [kg]	2.25
No-load torque (w/cover bands) [Nm]	2.1
No-load torque (w/o cover bands) [Nm]	1.5
Friction Coefficient	0.01