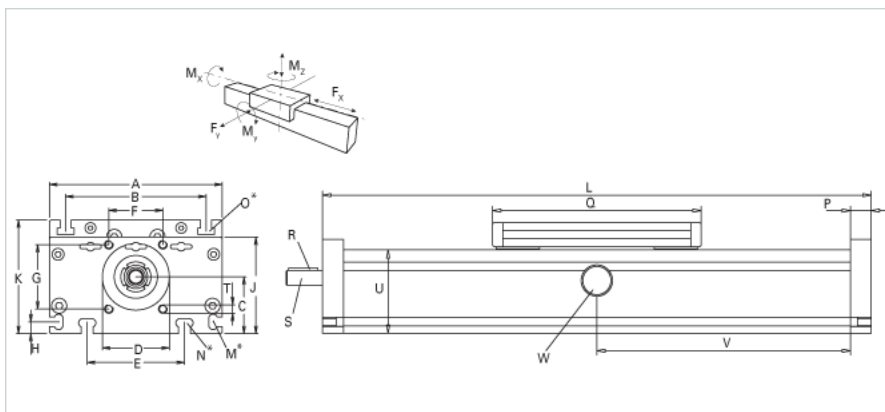
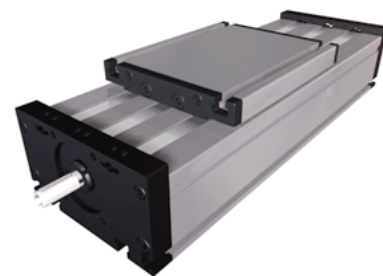


DST 200

Call 800-321-7800 or visit us online at www.nookindustries.com to configure and order your DST 200 today!



Details	
Size	200
Screw Options	32x6/32x12
Screw Type	Trapexoidal
Dimensions	
Basic Length L [mm]	320
A [mm]	200
B [mm]	160
C [mm]	66
D [mm]	68
E [mm]	140
F [mm]	60
G [mm]	60
H [mm]	15
J [mm]	110
K [mm]	129
M	M8
N	M10
O	M10
P [mm]	20
Q [mm]	270
Shaft R Key [mm]	6X6X40
Shaft S Diameter x Length [mm]	22 h6x45
T	M8
U [mm]	100
Forces and Torques	
F _x [N] 10000 km	8000
F _y [N] 10000 km	11080
F _z [N] 10000 km	14600
M _x [Nm] 10000 km	915
M _y [Nm] 10000 km	980
M _z [Nm] 10000 km	960
F _x [N] 5000 km	10000
F _y [N] 5000 km	15600
F _z [N] 5000 km	20600
M _x [Nm] 5000 km	1285
M _y [Nm] 5000 km	1375
M _z [Nm] 5000 km	1345
No-load torque [Nm]	1.5
Geometrical moments of inertia of aluminum profile	
Elastic modulus [N/mm ²]	70000
I _x [mm ⁴]	4810000
I _y [mm ⁴]	26000000
Weight	
Weight Per 100 mm [kg]	3.5
Basic Weight [kg]	19.4