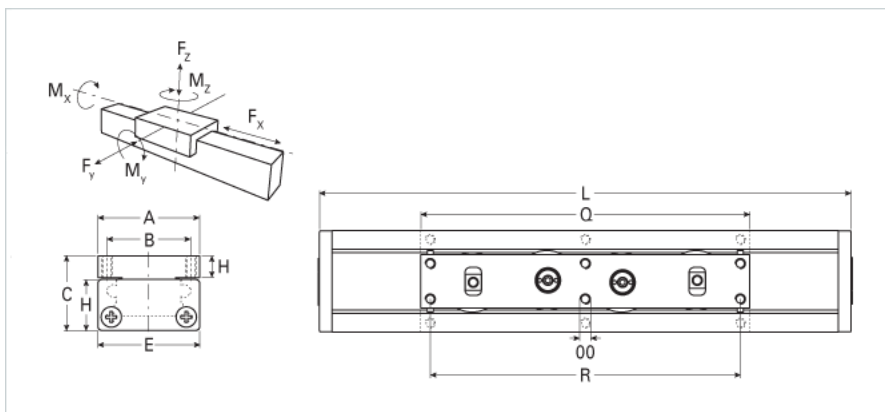
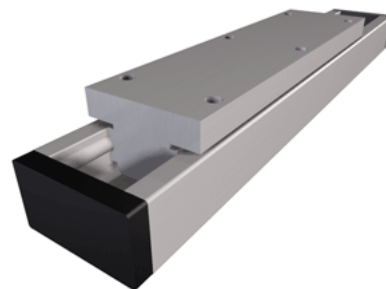


## UL 80

Call 800-321-7800 or visit us online at [www.nookindustries.com](http://www.nookindustries.com) to configure and order your UL 80 today!



Details	
Size	80
Dimensions	
A [mm]	80
B [mm]	66
C [mm]	58.5
E [mm]	80
H [mm]	40
Basic Length L [mm]	285
OO	M8x12
P [mm]	10
Q [mm]	260
R [mm]	245
S [mm]	11.5
T [mm]	14.8
Speed	
Speed Maximum [m/s]	6
Forces and Torques	
Fx dynamic [N]	-
Fy dynamic [N]	2000
Fz dynamic [N]	1100
Mx dynamic [N]	55
My dynamic [N]	80
Mz dynamic [N]	120
Fx static [N]	-
Fy static [N]	3000
Fz static [N]	1700
Mx static [N]	90
My static [N]	110
Mz static [N]	150
Geometrical moments of inertia of aluminum profile	
Elastic modulus [N/mm <sup>2</sup> ]	70000
Ix [mm <sup>4</sup> ]	280000
Iy [mm <sup>4</sup> ]	1059000
Weight	
Additional Weight per 100 mm [kg]	0.48
Basic Weight [kg]	4.2