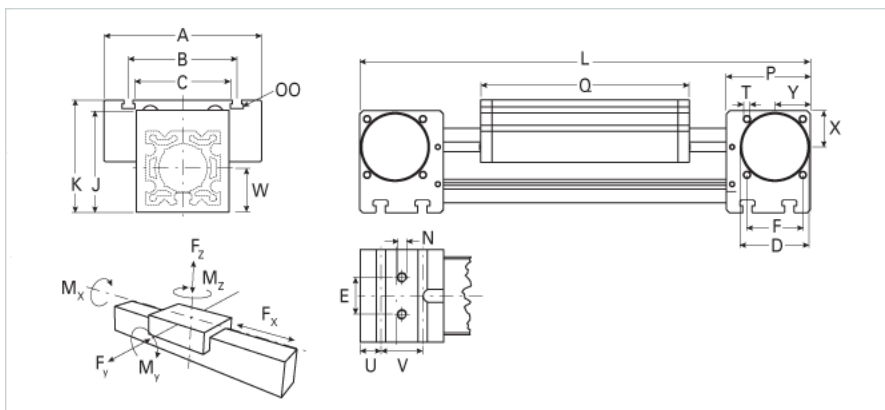
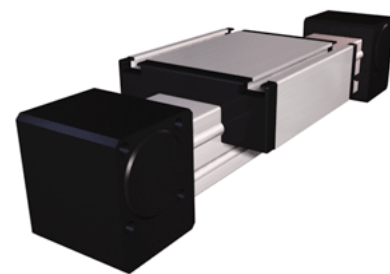


ELRZ 40

Call 800-321-7800 or visit us online at www.nookindustries.com to configure and order your ELRZ 40 today!



Details	
Size	40
Dimensions	
Basic Length L [mm]	225
A [mm]	100
B [mm]	66
C [mm]	58
D [mm]	37
E [mm]	18
F [mm]	32
G [mm]	-
H [mm]	-
J [mm]	58
K [mm]	64
MM	-
N	M6
OO	M6
P [mm]	49
Q [mm]	122
T-Diameter	M5
U [mm]	12.5
V [mm]	24
W [mm]	29
X [mm]	20.5
Y [mm]	20.5
Forces and Torques	
Fx dynamic [N]	-
Fy dynamic [N]	700
Fz dynamic [N]	650
Mx dynamic [Nm]	20
My dynamic [Nm]	18
Mz dynamic [Nm]	25
Fx static [N]	-
Fy static [N]	1200
Fz static [N]	900
Mx static [Nm]	25
My static [Nm]	32
Mz static [Nm]	35
Geometrical moments of inertia of aluminum profile	
Elastic modulus [N/mm ²]	70000
Ix [mm ⁴]	132000
Iy [mm ⁴]	134000
Weight	
Additional Weight per 100 mm [kg]	0.23
Basic Weight [kg] [.0}	1.2