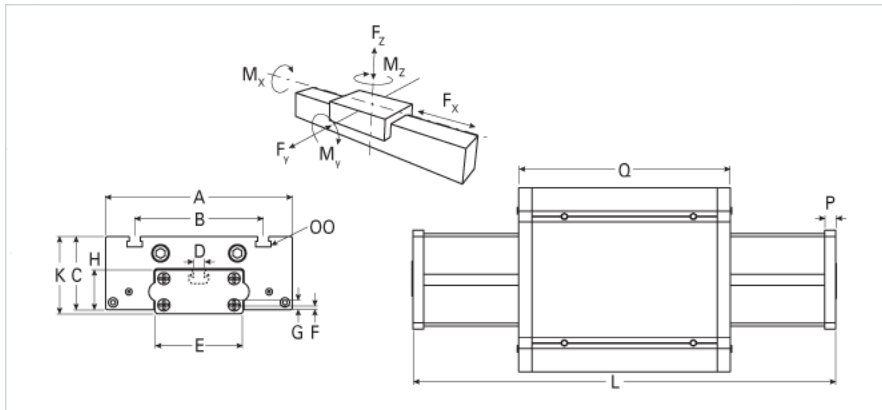
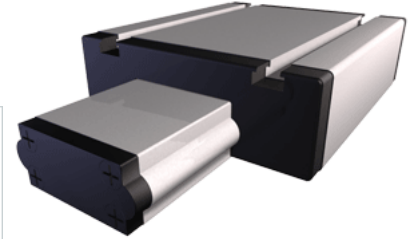


E 60

Call 800-321-7800 or visit us online at www.nookindustries.com to configure and order your E 60 today!



| Details | |
|--|--------|
| Size | 60 |
| Dimensions | |
| Basic Length L [mm] | 186 |
| A [mm] | 144 |
| B [mm] | 96 |
| C [mm] | 48 |
| D [mm] | 10 |
| E [mm] | 60 |
| F [mm] | 7 |
| G [mm] | 12.5 |
| H [mm] | 30 |
| K [mm] | 49 |
| MM | - |
| OO | M8 |
| P [mm] | 8 |
| Q [mm] | 168 |
| R [mm] | - |
| Speed | |
| Speed Maximum [m/s] | 5 |
| Forces and Torques | |
| Fx dynamic [N] | - |
| Fy dynamic [N] | 2000 |
| Fz dynamic [N] | 1100 |
| Mx dynamic [Nm] | 43 |
| My dynamic [Nm] | 70 |
| Mz dynamic [Nm] | 100 |
| Fx static [N] | - |
| Fy static [N] | 3000 |
| Fz static [N] | 1700 |
| Mx static [Nm] | 67 |
| My static [Nm] | 90 |
| Mz static [Nm] | 120 |
| Geometrical moments of inertia of aluminum profile | |
| Elastic modulus [N/mm ²] | 70000 |
| Ix [mm ⁴] | 170000 |
| Iy [mm ⁴] | 610000 |
| Weight | |
| Additional Weight per 100 mm [kg] | 0.20 |
| Basic Weight [kg] | 2.2 |