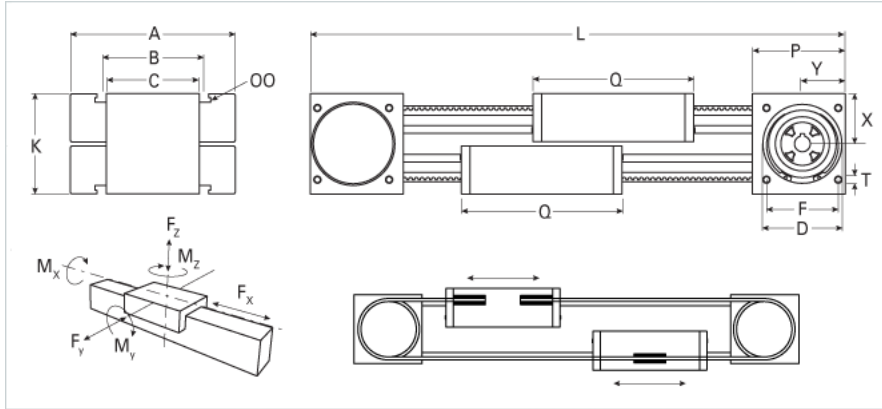
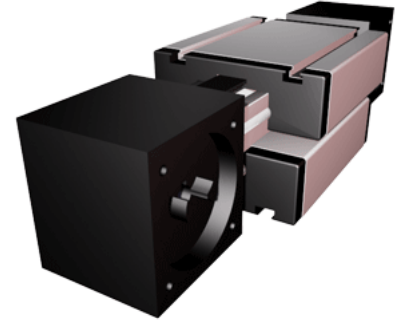


## ELZG 60

Call 800-321-7800 or visit us online at [www.nookindustries.com](http://www.nookindustries.com) to configure and order your ELZG 60 today!



### Details

Size	60
Belt	5M25
mm/Rev	220
Number of Teeth	44

### Dimensions

Basic Length L [mm]	365
A [mm]	144
B [mm]	96
C [mm]	88
D [mm]	80
F [mm]	70
G [mm]	-
H [mm]	-
K [mm]	98
MM	-
OO	M8
P [mm]	95
Q [mm]	168
T	M8
X [mm]	49
Y [mm]	46
Shaft Diameter and Length [mm]	18 x 45
Key	6x6x40

### Speed

Speed Maximum [m/s]	5
---------------------	---

### Forces and Torques

No-load torque [Nm]	0.6
Tensile force 0.2 sec [N]	1000
Tensile force permanent [N]	900
Fx dynamic [N]	800
Fy dynamic [N]	2000
Fz dynamic [N]	1100
Mx dynamic [Nm]	43
My dynamic [Nm]	70
Mz dynamic [Nm]	100
Fx static [N]	894
Fy static [N]	3000
Fz static [N]	1700
Mx static [Nm]	67
My static [Nm]	90
Mz static [Nm]	120

### Geometrical moments of inertia of aluminum profile

Elastic modulus [N/mm <sup>2</sup> ]	70000
Ix [mm <sup>4</sup> ]	679000
Iy [mm <sup>4</sup> ]	697000

### Weight

Additional Weight per 100 mm [kg]	0.65
Basic Weight [kg]	10.3

### Values for Calculating Inertias

Pulley Material	Steel
Pulley Diameter [mm]	70.03
Effective Pulley Width [mm]	88
Belt Weight [kg/m]	0.123

---

Standard Carriage Weight [kg]

1.57

---

No-load torque [Nm]

0.6

---

Friction Coefficient

0.01

---