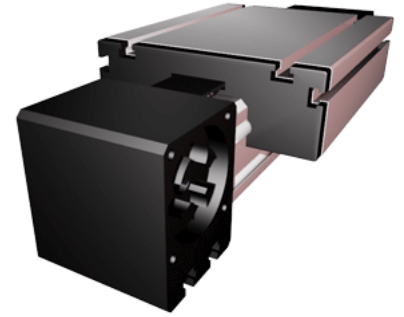
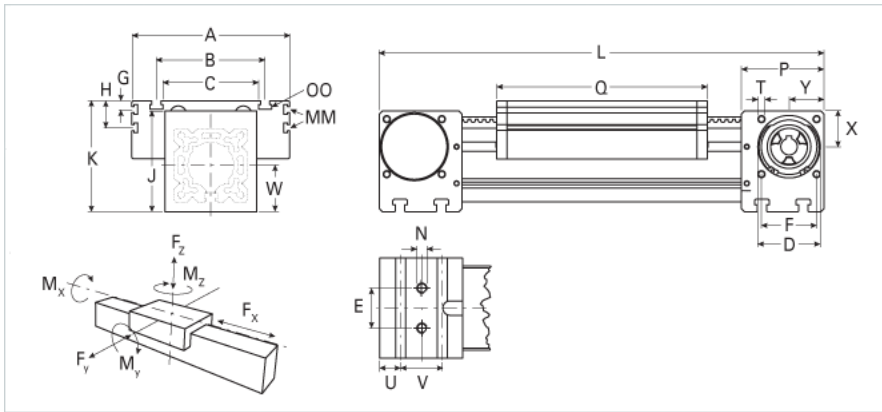


ELZex 125

Call 800-321-7800 or visit us online at www.nookindustries.com to configure and order your ELZex 125 today!



Details	
Size	125
Belt	8M70
mm/Rev	304
Number of Teeth	38
Dimensions	
Basic Length L [mm]	625
A [mm]	295
B [mm]	200
C [mm]	160
D [mm]	110
E [mm]	60
F [mm]	100
G [mm]	-
H [mm]	30
J [mm]	167
K [mm]	191
MM	M10
N	M12
OO	M12
P [mm]	130
Q [mm]	365
T	M10
U [mm]	38
V [mm]	50
W [mm]	82
X [mm]	60
Y [mm]	60
Shaft Diameter and Length [mm]	30 x 55
Key	8x7x50
Speed	
Speed Maximum [m/s]	1
Forces and Torques	
No-load torques [Nm]	1.8
Tensile force permanent [N]	2067
Fx dynamic [N]	1654
Fy dynamic [N]	3984
Fz dynamic [N]	1752
Mx dynamic [Nm]	176
My dynamic [Nm]	224
Mz dynamic [Nm]	509
Fx static [N]	2067
Fy static [N]	4980
Fz static [N]	2190
Mx static [Nm]	220
My static [Nm]	280
Mz static [Nm]	636
Geometrical moments of inertia of aluminum profile	
Elastic modulus [N/mm ²]	70000
Ix [mm ⁴]	10150000
Iy [mm ⁴]	10150000
Weight	
Additional Weight per 100 mm [kg]	2.10
Basic Weight [kg]	37.0

Values for Calculating Inertias

Pulley Material	Aluminum
Pulley Diameter [mm]	96.77
Effective Pulley Width [mm]	160
Belt Weight [kg/m]	0.480
Standard Carriage Weight [kg]	12.10
No-load torque [Nm]	1.8
Friction Coefficient	0.01