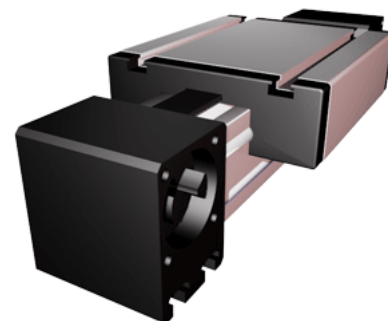
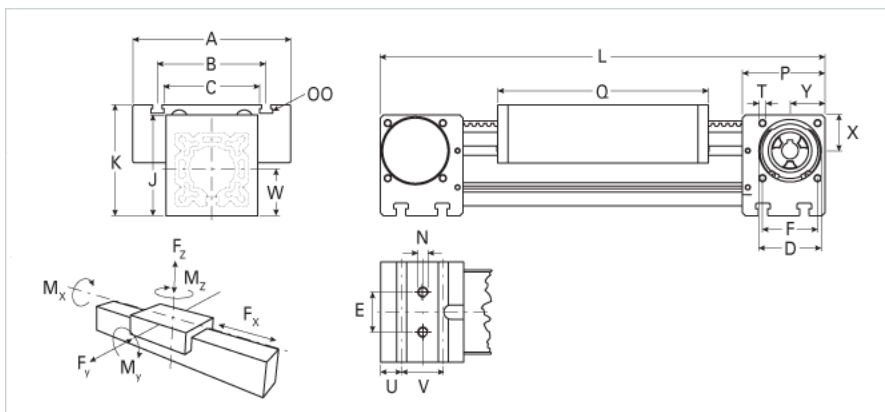


## ELZex 60

Call 800-321-7800 or visit us online at [www.nookindustries.com](http://www.nookindustries.com) to configure and order your ELZex 60 today!



| Details  |         |
|--|---------|
| Size   | 60      |
| Belt   | 5M25    |
| mm/Rev   | 130     |
| Number of Teeth                                    | 26      |
| Dimensions   |         |
| Basic Length L [mm]                                | 290     |
| A [mm]   | 144     |
| B [mm]   | 96      |
| C [mm]   | 80      |
| D [mm]   | 47      |
| E [mm]   | 30      |
| F [mm]   | 42      |
| G [mm]   | -       |
| H [mm]   | -       |
| J [mm]   | 82      |
| K [mm]   | 90      |
| MM   | -       |
| N  | M8      |
| OO   | M8      |
| P [mm]   | 59      |
| Q [mm]   | 168     |
| T  | M6      |
| U [mm]   | 15      |
| V [mm]   | 30      |
| W [mm]   | 41      |
| X [mm]   | 27      |
| Y [mm]   | 26      |
| Shaft Diameter and Length [mm]                     | 14 x 35 |
| Key  | 5x5x28  |
| Speed  |         |
| Speed Maximum [m/s]                                | 1       |
| Forces and Torques                                 |         |
| No-load torques [Nm]                               | 0.6     |
| Tensile force permanent [N]                        | 312     |
| Fx dynamic [N]                                     | 250     |
| Fy dynamic [N]                                     | 1064    |
| Fz dynamic [N]                                     | 594     |
| Mx dynamic [Nm]                                    | 29      |
| My dynamic [Nm]                                    | 32      |
| Mz dynamic [Nm]                                    | 56      |
| Fx static [N]                                      | 312     |
| Fy static [N]                                      | 1330    |
| Fz static [N]                                      | 742     |
| Mx static [Nm]                                     | 36      |
| My static [Nm]                                     | 39      |
| Mz static [Nm]                                     | 70      |
| Geometrical moments of inertia of aluminum profile |         |
| Elastic modulus [N/mm <sup>2</sup> ]               | 70000   |
| Ix [mm <sup>4</sup> ]                              | 679000  |
| Iy [mm <sup>4</sup> ]                              | 697000  |
| Weight   |         |
| Additional Weight per 100 mm [kg]                  | 0.62    |
| Basic Weight [kg]                                  | 4.8     |

**Values for Calculating Inertias**

|                               |       |
|-------------------------------|-------|
| Pulley Material               | Steel |
| Pulley Diameter [mm]          | 41.38 |
| Effective Pulley Width [mm]   | 80    |
| Belt Weight [kg/m]            | 0.123 |
| Standard Carriage Weight [kg] | 1.57  |
| No-load torque [Nm]           | 0.6   |
| Friction Coefficient          | 0.01  |