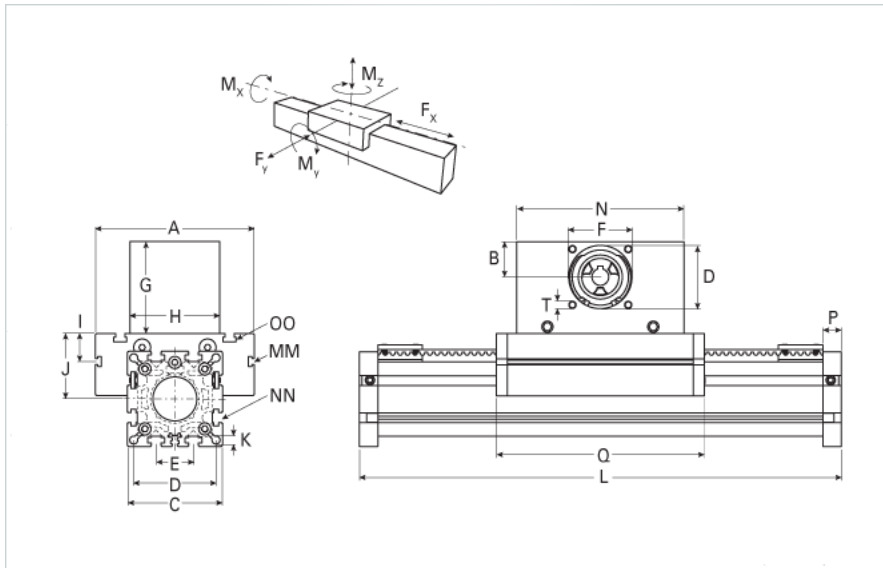
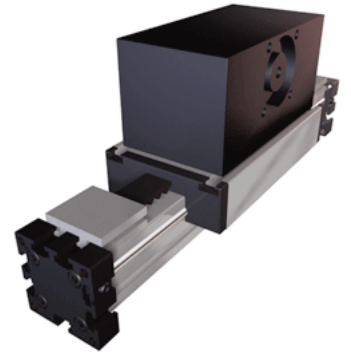


## ELSZ 125 Wide Belt

Call 800-321-7800 or visit us online at [www.nookindustries.com](http://www.nookindustries.com) to configure and order your ELSZ 125 Wide Belt today!



### Details

|                 |       |
|-----------------|-------|
| Size            | 125   |
| Belt            | 8M100 |
| mm/Rev          | 304   |
| Number of Teeth | 38    |

### Dimensions

|                                |         |
|--------------------------------|---------|
| Basic Length L [mm]            | 595     |
| A [mm]                         | 295     |
| B [mm]                         | 62      |
| C [mm]                         | 165     |
| D [mm]                         | 110     |
| E [mm]                         | 60      |
| F [mm]                         | 100     |
| G [mm]                         | 139     |
| H [mm]                         | 180     |
| I [mm]                         | 30      |
| J [mm]                         | 107.5   |
| K [mm]                         | M10     |
| MM                             | M10     |
| N [mm]                         | 310     |
| NN                             | M12     |
| O [mm]                         | 140     |
| OO                             | M12     |
| P [mm]                         | 30      |
| Q [mm]                         | 365     |
| T                              | M10     |
| V [mm]                         | -       |
| Shaft Diameter and Length [mm] | 40 x 55 |
| Key                            | 12x8x50 |

### Speed

|                     |    |
|---------------------|----|
| Speed Maximum [m/s] | 10 |
|---------------------|----|

### Forces and Torques

|                             |       |
|-----------------------------|-------|
| No-load torque [Nm]         | 1.8   |
| Tensile force 0.2 sec [N]   | 8500  |
| Tensile force permanent [N] | 7900  |
| Fx dynamic [N]              | 7500  |
| Fy dynamic [N]              | 9000  |
| Fz dynamic [N]              | 4500  |
| Mx dynamic [Nm]             | 450   |
| My dynamic [Nm]             | 600   |
| Mz dynamic [Nm]             | 1150  |
| Fx static [N]               | 7900  |
| Fy static [N]               | 12000 |
| Fz static [N]               | 6000  |
| Mx static [Nm]              | 600   |
| My static [Nm]              | 750   |
| Mz static [Nm]              | 1350  |

### Geometrical moments of inertia of aluminum profile

|                                        |          |
|----------------------------------------|----------|
| Elastic modulus [N/mm <sup>2</sup> ]   | 70000    |
| Ix [mm <sup>4</sup> ]                  | 10150000 |
| Iy [mm <sup>4</sup> ]                  | 10150000 |
| <b>Weight</b>                          |          |
| Additional Weight per 100 mm [kg]      | 1.96     |
| Basic Weight [kg]                      | 57.4     |
| <b>Values for Calculating Inertias</b> |          |
| Pulley Material - Drive Pulley (x1)    | Aluminum |
| Pulley Material - Idler Pulleys (x2)   | Aluminum |
| Pulley Diameter [mm]                   | 96.8     |
| Effective Pulley Width [mm]            | 180      |
| Belt Weight [kg/m]                     | 0.480    |
| Standard Carriage Weight [kg]          | 29.60    |
| No-load torque [Nm]                    | 1.8      |
| Friction Coefficient                   | 0.01     |