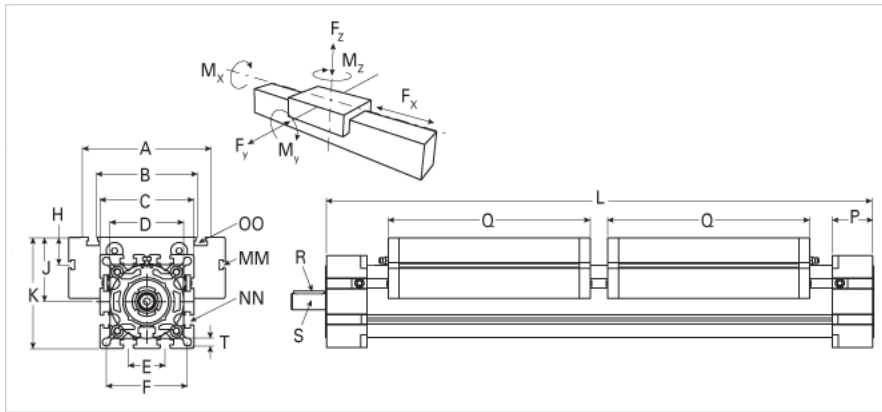
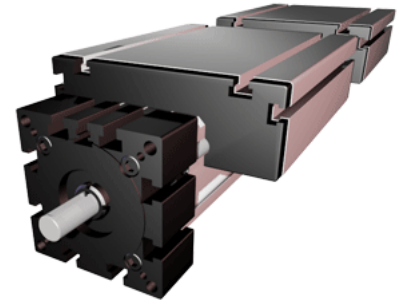


ELK 125 Dual Carriage

Call 800-321-7800 or visit us online at www.nookindustries.com to configure and order your ELK 125 Dual Carriage today!



Details

| | |
|---------------|-------------------|
| Size | 125 |
| Screw Options | 40x10/40x20/40x40 |
| Screw Type | Ball Screw |

Dimensions

| | |
|--------------------------|---------|
| Basic Length L [mm] | 880 |
| A [mm] | 295 |
| B [mm] | 200 |
| C [mm] | 165 |
| D [mm] | 130x1 |
| E [mm] | 60 |
| F [mm] | 142 |
| G [mm] | - |
| H [mm] | 30 |
| J [mm] | 107.5 |
| K [mm] | 190 |
| MM | M10 |
| NN | M12 |
| OO | M12 |
| P [mm] | 65 |
| Q [mm] | 365 |
| R [mm] | 8x7x50 |
| S Diameter x Length [mm] | 25 x 55 |
| T-Diameter [mm] | 13.0 |

Forces and Torques

| | |
|---------------------|-------|
| No-load torque [Nm] | 1.4 |
| Fx dynamic [N] | 12000 |
| Fy dynamic [N] | 9000 |
| Fz dynamic [N] | 4500 |
| Mx dynamic [Nm] | 450 |
| My dynamic [Nm] | 600 |
| Mz dynamic [Nm] | 1150 |
| Fx static [N] | 15000 |
| Fy static [N] | 12000 |
| Fz static [N] | 6000 |
| Mx static [Nm] | 600 |
| My static [Nm] | 750 |
| Mz static [Nm] | 1350 |

Geometrical moments of inertia of aluminum profile

| | |
|--------------------------------------|----------|
| Elastic modulus [N/mm ²] | 70000 |
| Ix [mm ⁴] | 10150000 |
| Iy [mm ⁴] | 10150000 |

Weight

| | |
|-----------------------------------|------|
| Additional Weight per 100 mm [kg] | 2.89 |
| Basic Weight [kg] | 48.0 |