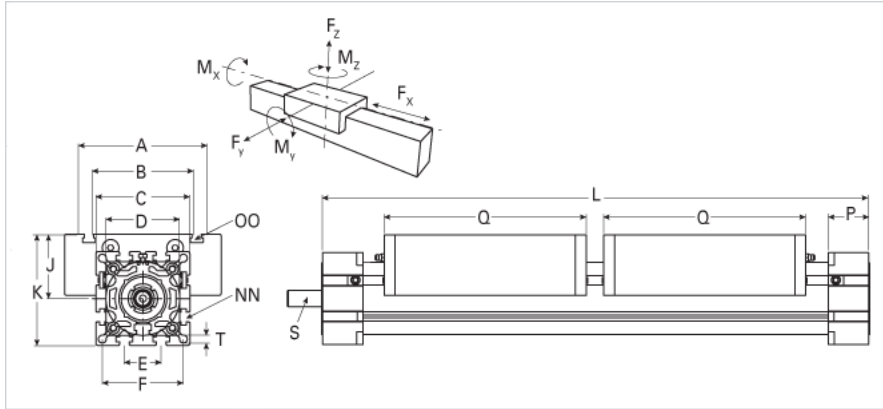
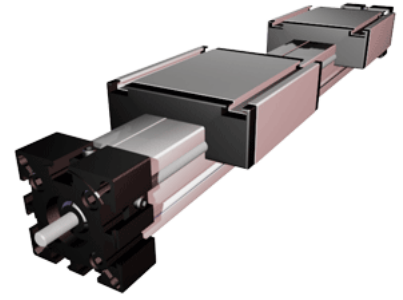


## ELT 30 Dual Carriage

Call 800-321-7800 or visit us online at [www.nookindustries.com](http://www.nookindustries.com) to configure and order your ELT 30 Dual Carriage today!



Details	
Size	30
Screw Options	10x3
Screw Type	Trapezoidal
Dimensions	
Basic Length L [mm]	202
A [mm]	70
B [mm]	56
C [mm]	42
D [mm]	40x1
E [mm]	13
F [mm]	35
G [mm]	-
H [mm]	-
J [mm]	26
K [mm]	47
MM	-
NN	M6
OO	M6
P [mm]	18
Q [mm]	82
R [mm]	-
S Diameter x Length [mm]	5 x 15
T-Diameter [mm]	4.2
Forces and Torques	
No-load torque [Nm]	0.3
F <sub>x</sub> dynamic [N]	600
F <sub>y</sub> dynamic [N]	60
F <sub>z</sub> dynamic [N]	60
M <sub>x</sub> dynamic [Nm]	10
M <sub>y</sub> dynamic [Nm]	10
M <sub>z</sub> dynamic [Nm]	12
F <sub>x</sub> static [N]	750
F <sub>y</sub> static [N]	90
F <sub>z</sub> static [N]	90
M <sub>x</sub> static [Nm]	12
M <sub>y</sub> static [Nm]	12
M <sub>z</sub> static [Nm]	15
Geometrical moments of inertia of aluminum profile	
Elastic modulus [N/mm <sup>2</sup> ]	70000
I <sub>x</sub> [mm <sup>4</sup> ]	40900
I <sub>y</sub> [mm <sup>4</sup> ]	40900
Weight	
Additional Weight per 100 mm [kg]	0.16
Basic Weight [kg]	1.1