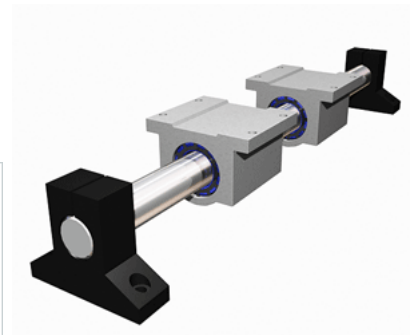
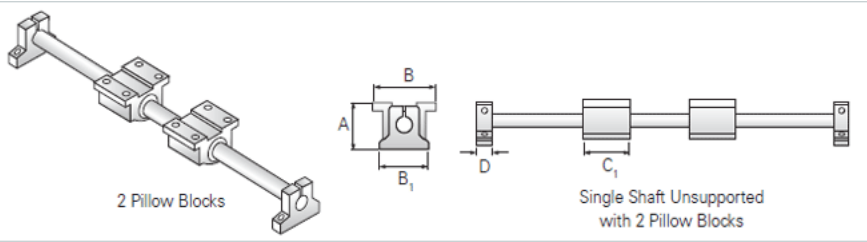


PowerTrax 121-16-SXX

Call 800-321-7800 or visit us online at www.nookindustries.com to configure and order your PowerTrax 121-16-SXX today!



Product Info

| | |
|-----------------------------|--------|
| Nominal Shaft Diameter [in] | 1.00 |
| Pillow Block | XEP-16 |
| End Support | NSB-16 |

Dimensions

| | |
|-----------------|-------|
| A +/-0.003 [in] | 2.687 |
| B [in] | 3.25 |
| B1 [in] | 3.25 |
| C1 [in] | 2.81 |
| D [in] | 1.00 |

Performance Specifications

| | |
|--------------------------|-----|
| Load Maximum/Block [lbf] | 725 |
|--------------------------|-----|