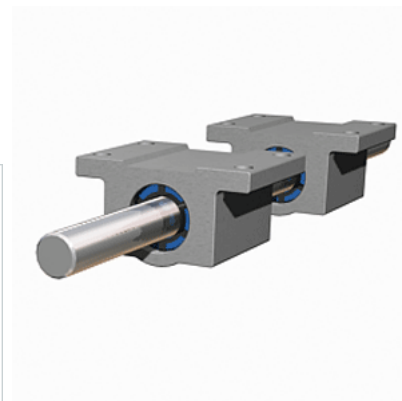
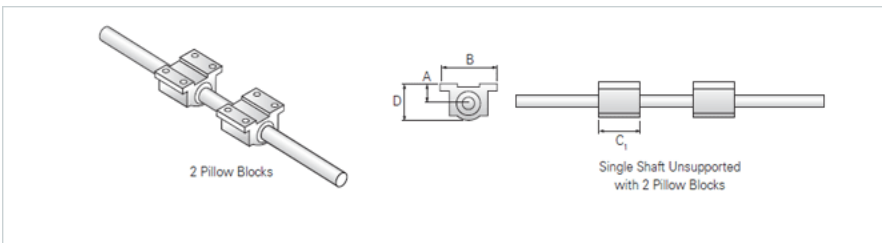


## PowerTrax 111-06-SXX

Call 800-321-7800 or visit us online at [www.nookindustries.com](http://www.nookindustries.com) to configure and order your PowerTrax 111-06-SXX today!



### Product Info

Nominal Shaft Diameter [in]	0.38
Pillow Block	XEP-6

### Dimensions

A +/-0.001 [in]	0.500
B [in]	1.75
C1 [in]	1.31
D [in]	0.94

### Performance Specifications

Load Maximum/Block [lbf]	68
--------------------------	----