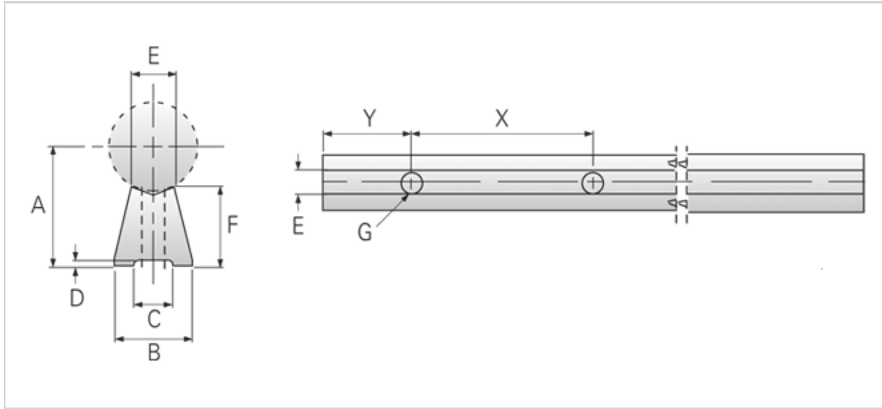
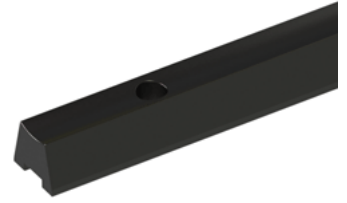


NLR-20-PD

Call 800-321-7800 or visit us online at www.nookindustries.com to configure and order your NLR-20-PD today!



Product Info

Nominal Shaft Diameter [in] 1.25

Dimensions

A +/-0.002 [in]	1.188
B [in]	0.78
C [in]	0.343
D [in]	0.09
E [in]	0.518
F [in]	0.617
G - Hole [in]	0.343
X	6
Y	3
G - Bolt	5/16

Part Number

12" Part Number	NLR-20-PD-12
24" Part Number	NLR-20-PD-24
36" Part Number	NLR-20-PD-36
48" Part Number	NLR-20-PD-48

Weight

Weight Per Foot [lb] 0.45