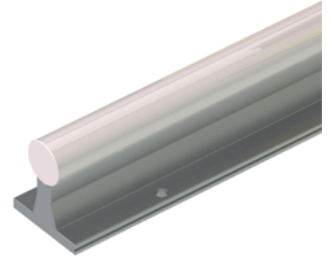
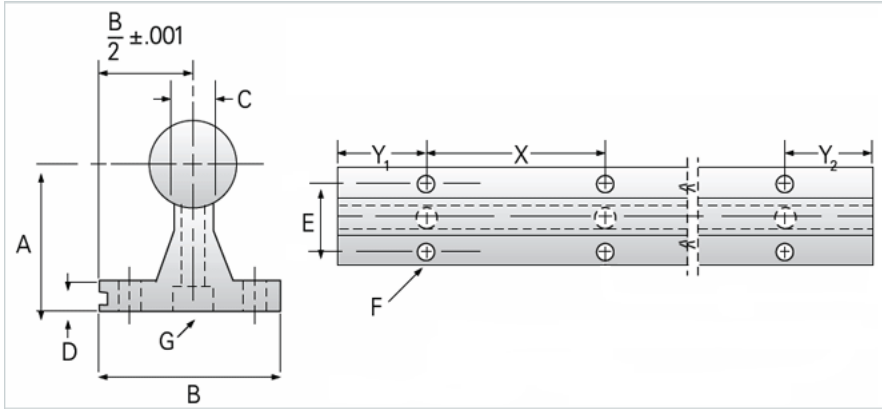


NSR-20-PDA

Call 800-321-7800 or visit us online at www.nookindustries.com to configure and order your NSR-20-PDA today!



Product Info

Nominal Diameter [in] 1.25

Dimensions

A +/-0.002 [in]	2.125
B [in]	2.50
C [in]	0.563
D [in]	0.313
E [in]	1.88
G - Hole [in]	0.343
X [in]	6
F - Bolt	5/16"
F - Hole [in]	0.343
G - Screw	5/16-18x1-3/4

Weight

Weight Per Foot [lb] 6.28