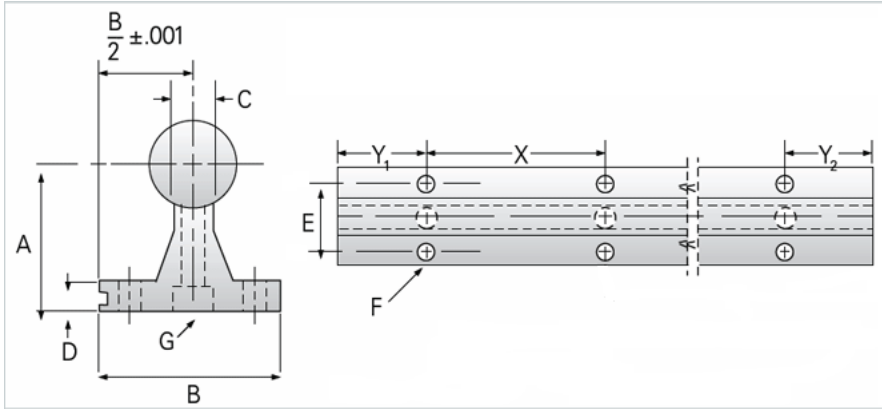


## NSR-10-PDA

Call 800-321-7800 or visit us online at [www.nookindustries.com](http://www.nookindustries.com) to configure and order your NSR-10-PDA today!



### Product Info

Nominal Diameter [in] 0.63

### Dimensions

A +/-0.002 [in]	1.125
B [in]	1.63
C [in]	0.313
D [in]	0.250
E [in]	1.13
G - Hole [in]	0.193
X [in]	4
F - Bolt	8
F - Hole [in]	0.193
G - Screw	8-32x7/8

### Weight

Weight Per Foot [lb] 1.83