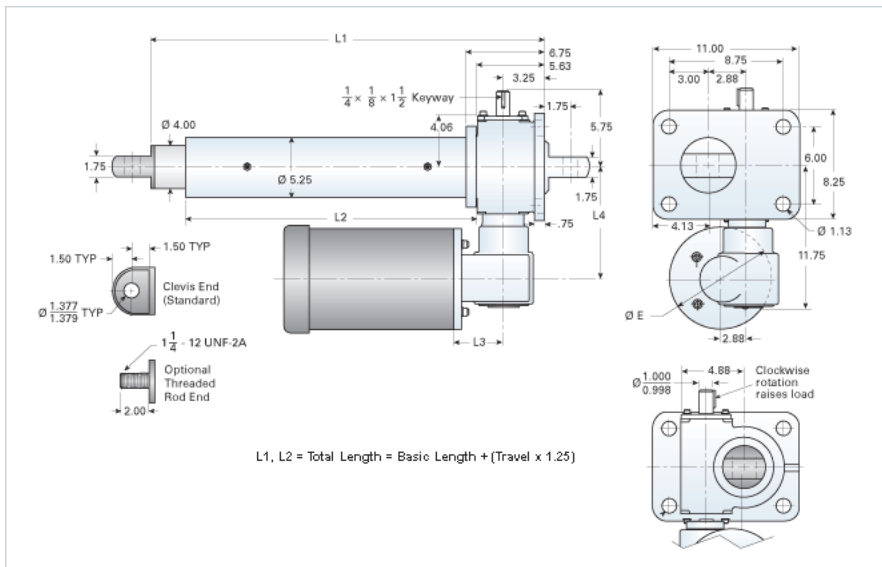


## RAD-20048-A2/30XX

Call 800-321-7800 or visit us online at [www.nookindustries.com](http://www.nookindustries.com) to configure and order your RAD-20048-A2/30XX today!



### Performance Specifications

Travel Rate [in/min]	4.5
Dynamic Capacity [lb]	25000
Motor Horse Power	3
Maximum Rod Reaction Torque [in-lb]	2925
Std. Brake Torque [ft-lb]	15
Approximate Stopping Distance No Load [in]	0.01

### Details

Gear Ratio Primary Reduction	24:1
Gear Ratio Secondary Reduction	8:1
Input Turns per Inch of Travel	384
Torque to Raise 1 lb. [in-lb]	0.0043
Max Capacity [lb]	40000
Max HP [hp]	3

### Weight

Basic Weight [lb]	187
Per Inch of Travel [lb]	3.60

### Tube Dimensions

L1 Basic Length [in]	17.44
L2 Basic Length [in]	8.94

### NEMA 56C Dimensions

L3 [in]	-
L4 [in]	-
E [in]	-

### NEMA 180TC Dimensions

L3 [in]	6.12
L4 [in]	9.00
F [in]	9.12