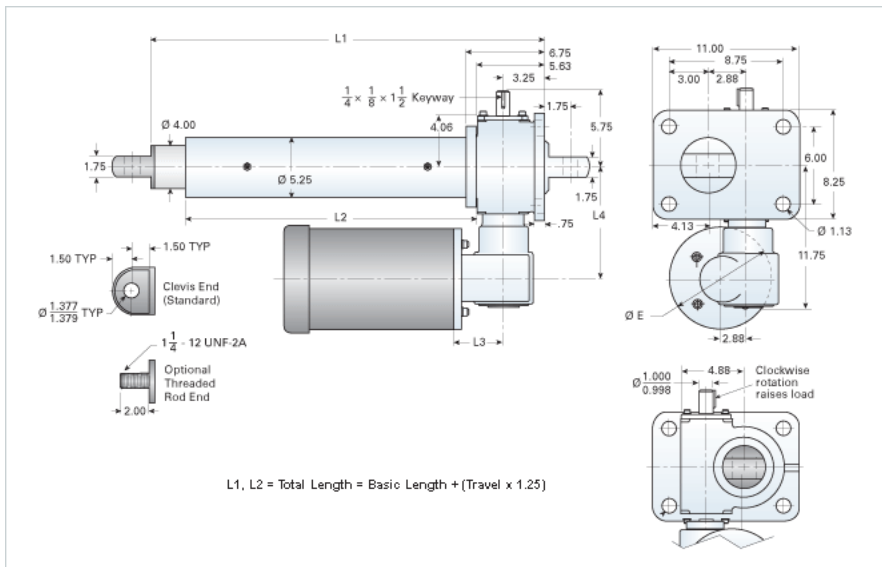


RAD-20088-A3/50XX

Call 800-321-7800 or visit us online at www.nookindustries.com to configure and order your RAD-20088-A3/50XX today!



Performance Specifications

| | |
|--|-------|
| Travel Rate [in/min] | 9 |
| Dynamic Capacity [lb] | 22500 |
| Motor Horse Power | 5 |
| Maximum Rod Reaction Torque [in-lb] | 4770 |
| Std. Brake Torque [ft-lb] | 15 |
| Approximate Stopping Distance No Load [in] | 0.03 |

Details

| | |
|--------------------------------|--------|
| Gear Ratio Primary Reduction | 8:1 |
| Gear Ratio Secondary Reduction | 8:1 |
| Input Turns per Inch of Travel | 192 |
| Torque to Raise 1 lb. [in-lb] | 0.0078 |
| Max Capacity [lb] | 40000 |
| Max HP [hp] | 7.5 |

Weight

| | |
|-------------------------|------|
| Basic Weight [lb] | 187 |
| Per Inch of Travel [lb] | 3.60 |

Tube Dimensions

| | |
|----------------------|-------|
| L1 Basic Length [in] | 17.44 |
| L2 Basic Length [in] | 8.94 |

NEMA 56C Dimensions

| | |
|---------|---|
| L3 [in] | - |
| L4 [in] | - |
| E [in] | - |

NEMA 180TC Dimensions

| | |
|---------|------|
| L3 [in] | 6.12 |
| L4 [in] | 9.00 |
| F [in] | 9.12 |