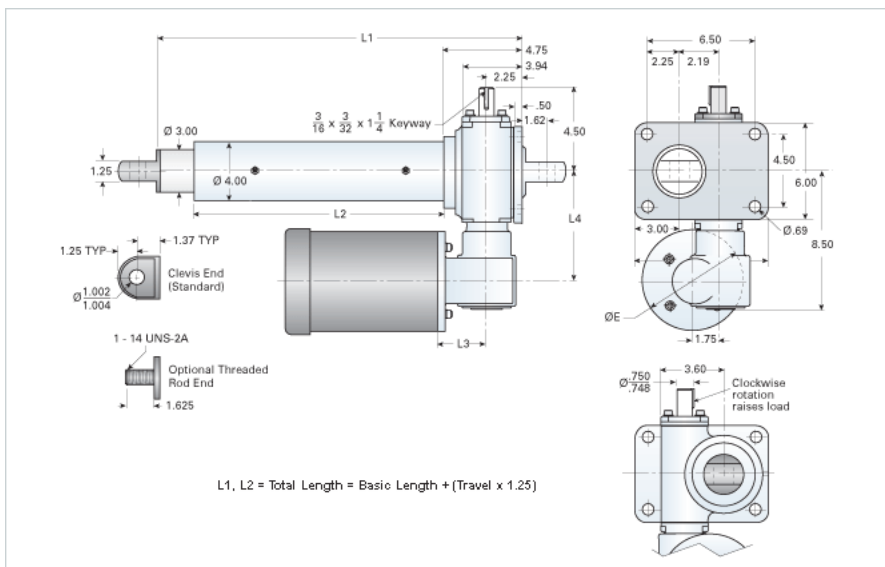


RAD-5046-A3/10XX

Call 800-321-7800 or visit us online at www.nookindustries.com to configure and order your RAD-5046-A3/10XX today!



Performance Specifications

Travel Rate [in/min]	4.5
Dynamic Capacity [lb]	10000
Motor Horse Power	1
Maximum Rod Reaction Torque [in-lb]	1073
Std. Brake Torque [ft-lb]	6
Approximate Stopping Distance No Load [in]	0.01

Details

Gear Ratio Primary Reduction	24:1
Gear Ratio Secondary Reduction	6:1
Input Turns per Inch of Travel	384
Torque to Raise 1 lb. [in-lb]	0.0037
Max Capacity [lb]	10000
Max HP [hp]	1

Weight

Basic Weight [lb]	66
Per Inch of Travel [lb]	1.87

Tube Dimensions

L1 Basic Length [in]	12.38
L2 Basic Length [in]	6.06

NEMA 56C Dimensions

L3 [in]	3.69
L4 [in]	5.63
E [in]	6.69

NEMA 180TC Dimensions

L3 [in]	-
L4 [in]	-
F [in]	-