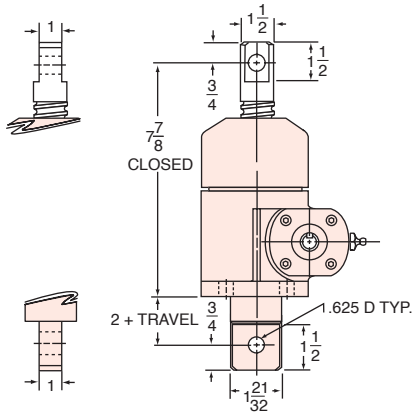
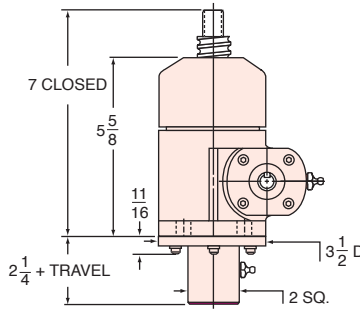


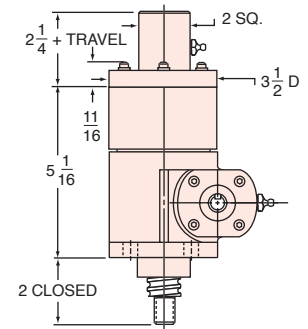
**2-BSJ-DC**  
(Double Clevis)



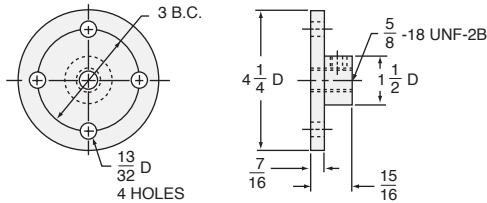
**2-BSJ-UK**  
(Upright Keyed)



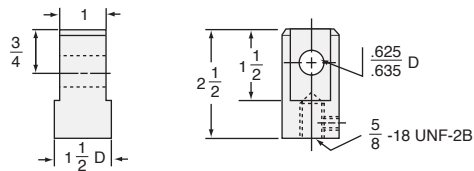
**2-BSJ-IK**  
(Inverted Keyed)



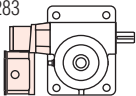
**TOP PLATE (optional): B9000-00-01**



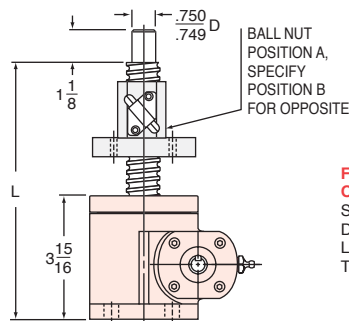
**CLEVIS END (optional): B9001-00-01**



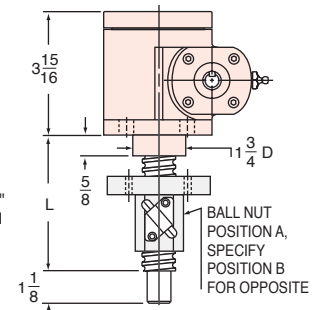
**ROTARY  
LIMIT SWITCH**  
see page 282-283



**2-BSJ-UR**  
(Upright Rotating)



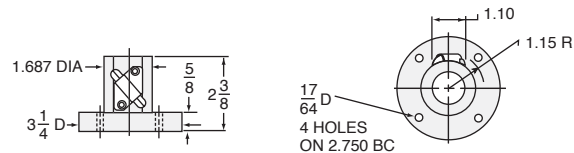
**2-BSJ-IR**  
(Inverted Rotating)



**FOR ORDERING**  
SPECIFY "L" DIMENSION  
L (min) = TRAVEL + 7 5/16

**FOR ORDERING**  
SPECIFY "L" DIMENSION  
L (min) = TRAVEL + 4

**BALL NUT & FLANGE DIMENSIONS**



**2-BSJ STANDARD SCREW**

SCREW: 1000-0250  
 ROOT DIAMETER: 0.820  
 DRAG TORQUE: 4 IN.-LB.  
 START TORQUE: 2 x Running Torque  
 WEIGHT (Approx. in Pounds)  
 "0" TRAVEL: 18  
 PER INCH TRAVEL: .6  
 GREASE: .5

RATIO	TURNS OF WORM PER INCH TRAVEL	TORQUE TO RAISE ONE LB.		MAX. HP	MAX. WORM SPEED AT RATED LOAD		MAX. LOAD AT 1750 RPM	
		NON-KEYED	KEYED		NON-KEYED	KEYED	NON-KEYED	KEYED
6:1	24	.0100 in.-lbs.	.0110 in.-lbs.	2	1800 rpm	1636 rpm	4000 lbs.	3740 lbs.
12:1	48	.0064 in.-lbs.	.0070 in.-lbs.	1 1/2	1800 rpm	1636 rpm	4000 lbs.	3740 lbs.
24:1	96	.0043 in.-lbs.	.0047 in.-lbs.	1/2	1800 rpm	1636 rpm	4000 lbs.	3740 lbs.

**CAUTION!** JACK IS SELF-LOWERING. LIFTING SCREW OR NUT MUST BE SECURED TO PREVENT ROTATION FOR NON-KEYED UNITS.