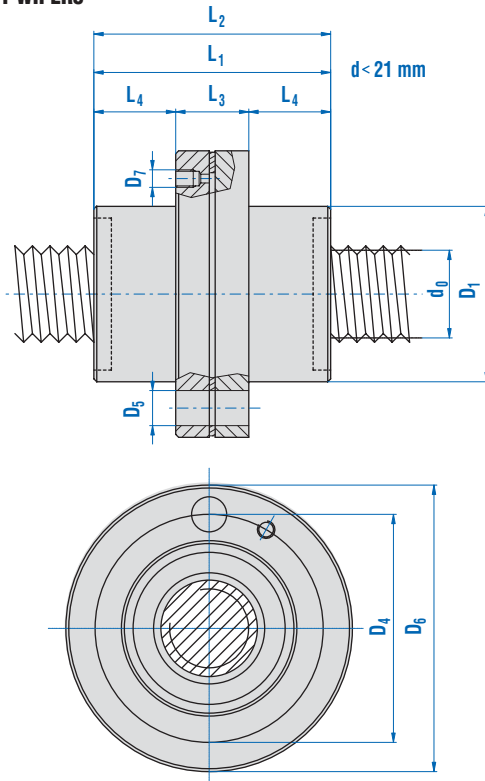


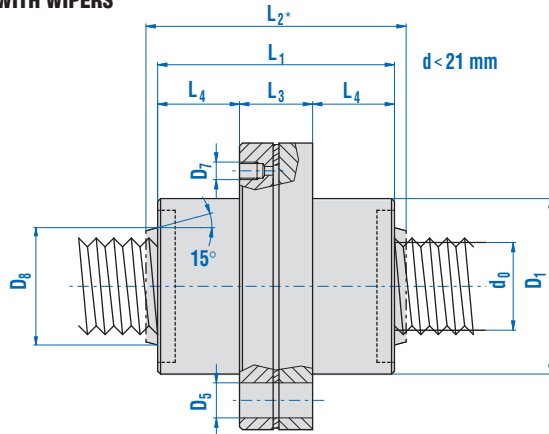


Nook Planetary Roller Screws are used in the most demanding and precise linear motion applications. With a greater number of contact points a roller screw provides stiffness and higher load ratings compared to a ball screw.

WITHOUT WIPERS



WITH WIPERS



Nominal
Screw Dia.

Lead

d ₀	Dia. x Lead	Lead			
		Ph ₀	D ₁ g ₆	D ₄	n x D ₅
30	NRS 30x2	2	64	81	6 x 9
	NRS 30x5	5	64	81	6 x 9
	NRS 30x10	10	64	81	6 x 9
	NRS 30x15	15	64	81	6 x 9
	NRS 30x20	20	64	81	6 x 9
39	NRS 39x5	5	80	102	6 x 11
	NRS 39x10	10	80	102	6 x 11
	NRS 39x15	15	80	102	6 x 11
	NRS 39x20	20	80	102	6 x 11
44	NRS 44x12	12	80	102	6 x 11
	NRS 44x18	18	80	102	6 x 11
	NRS 44x24	24	80	102	6 x 11
	NRS 44x30	30	80	102	6 x 11
48	NRS 48x5	5	100	127	6 x 13.5
	NRS 48x10	10	100	127	6 x 13.5
	NRS 48x20	20	100	127	6 x 13.5
60	NRS 60x10	10	122	150	6 x 17.5
	NRS 60x15	15	122	150	6 x 17.5
	NRS 60x20	20	122	150	6 x 17.5
64	NRS 64x30	30	115	150	6 x 17.5
	NRS 64x36	36	115	150	6 x 17.5
	NRS 64x42	42	115	150	6 x 17.5
75	NRS 75x10	10	150	180	8 x 17.5
	NRS 75x20	20	150	180	8 x 17.5
	NRS 75x30	30	150	180	8 x 17.5

* Note: Dimensions with wipers available by request.
kN x 224.82 = lbs

** Note: All dimensions are in mm unless otherwise indicated.

NRS NUT STYLES

D ₆	D ₇	D ₈	L ₁ h ₁₂	L _{2*} h ₁₂	L ₃	L ₄	BF: one-piece flanged nut			SF: split flanged nut		Locknut	EZZE-Mount
							Dynamic Load Ratings	Static Load Ratings	backlash	Dynamic Load Ratings	Static Load Ratings		
							C _a kN	C _{oa} kN	mm	C _a kN	C _{oa} kN		
98	M6	38	85	99	27	29	58.70	133.00	0.02	35.20	66.50	MKR 25x1.5	EZRF-3025
98	M6	38	85	99	27	29	76.70	151.50	0.02	46.00	75.70	MKR 25x1.5	EZRF-3025
98	M6	38	85	99	27	29	88.60	148.20	0.04	53.20	74.10	MKR 25x1.5	EZRF-3025
98	M6	38	85	99	27	29	96.40	150.30	0.07	57.80	75.10	MKR 25x1.5	EZRF-3025
98	M6	38	85	99	27	29	99.80	146.40	0.07	59.80	73.20	MKR 25x1.5	EZRF-3025
98	M6	38	85	99	27	29	102.40	143.20	0.07	61.40	71.60	MKR 25x1.5	EZRF-3025
124	M6	50	100	116	33	33.5	107.70	228.50	0.02	64.60	114.30	MKR 35x1.5	EZRF-3035
124	M6	50	100	116	33	33.5	127.30	230.30	0.04	76.30	115.10	MKR 35x1.5	EZRF-3035
124	M6	50	100	116	33	33.5	138.30	228.10	0.04	82.80	114.00	MKR 35x1.5	EZRF-3035
124	M6	50	100	116	33	33.5	144.70	218.60	0.04	86.70	109.20	MKR 35x1.5	EZRF-3035
124	M8 x 1	56	90	106	33	28.5	115.90	217.20	0.04	69.50	108.60	MKR 40x1.5	EZRF-3040
124	M8 x 1	56	90	106	33	28.5	127.40	218.60	0.07	76.40	109.30	MKR 40x1.5	EZRF-3040
124	M8 x 1	56	90	106	33	33.5	136.50	221.40	0.07	81.90	110.70	MKR 40x1.5	EZRF-3040
124	M8 x 1	56	90	106	33	33.5	133.80	206.30	0.07	80.20	103.10	MKR 40x1.5	EZRF-3040
150	M8 x 1	60	127	145	37	45	165.10	409.30	0.02	99.00	204.60	MKR 45x1.5	EZRF-3045
150	M8 x 1	60	127	145	37	45	193.00	403.80	0.04	115.80	201.90	MKR 45x1.5	EZRF-3045
150	M8 x 1	60	127	145	37	45	215.10	381.90	0.07	129.00	109.90	MKR 45x1.5	EZRF-3045
180	M8 x 1	71	152	170	45	53.5	282.30	662.60	0.04	169.40	331.30	MKR 55x1.5	EZRF-3055
180	M8 x 1	71	152	170	45	53.5	307.00	656.30	0.07	184.20	328.20	MKR 55x1.5	EZRF-3055
180	M8 x 1	71	152	170	45	53.5	325.00	653.00	0.07	195.00	326.50	MKR 55x1.5	EZRF-3055
180	M8 x 1	75	129	151	45	42	260.90	515.00	0.07	156.50	257.50	MKR 60x1.5	EZRF-3060
180	M8 x 1	75	129	151	45	42	260.00	493.10	0.07	156.00	246.50	MKR 60x1.5	EZRF-3060
180	M8 x 1	75	129	151	45	42	258.20	471.40	0.07	154.90	235.70	MKR 60x1.5	EZRF-3060
210	M8 x 1	87	191	211	45	73	411.10	1235.00	0.04	246.00	617.50	MKR 70x1.5	EZRF-3070
210	M8 x 1	87	191	211	45	73	483.40	1243.00	0.07	290.00	621.50	MKR 70x1.5	EZRF-3070
210	M8 x 1	87	191	211	45	73	461.40	1137.30	0.07	276.80	568.60	MKR 70x1.5	EZRF-3070