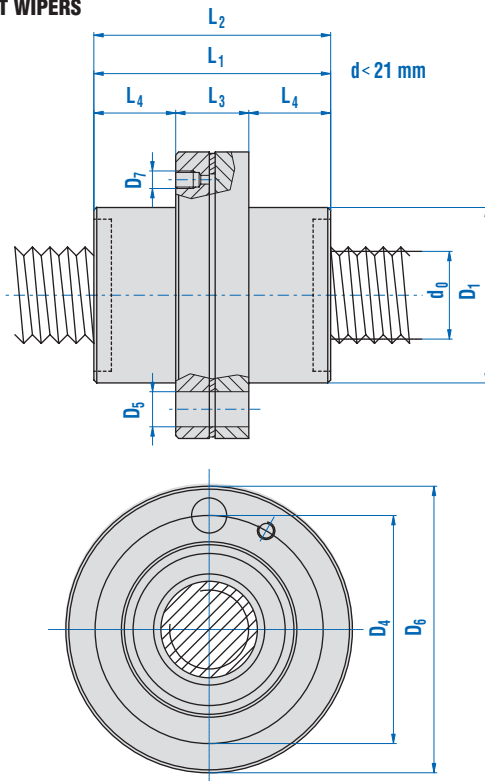


# NRS 8x2 to 27x8 ONE-PIECE & SPLIT FLANGED NUT

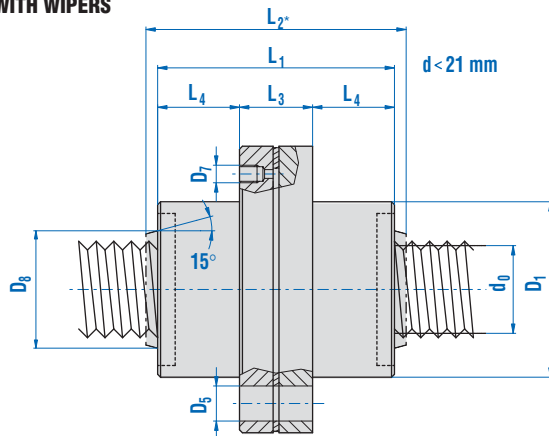


Nook Planetary Roller Screws are used in the most demanding and precise linear motion applications. With a greater number of contact points a roller screw provides stiffness and higher load ratings compared to a ball screw.

**WITHOUT WIPERS**



**WITH WIPERS**



Nominal  
Screw Dia.

Lead

$d_0$	Dia. x Lead	$Ph_0$	$D_1$ $g_6$	$D_4$	$n \times D_5$
<b>8</b>	<b>NRS 8x2</b>	2	21	31	6 x 4.5
	<b>NRS 8x4</b>	4	21	31	6 x 4.5
<b>12</b>	<b>NRS 12x2</b>	2	26	36	6 x 4.5
	<b>NRS 12x4</b>	4	26	36	6 x 4.5
	<b>NRS 12x5</b>	5	26	36	6 x 4.5
<b>15</b>	<b>NRS 15x2</b>	2	34	45	6 x 5
	<b>NRS 15x4</b>	4	34	45	6 x 5
	<b>NRS 15x5</b>	5	34	45	6 x 5
<b>20</b>	<b>NRS 20x2</b>	2	42	53	6 x 6
	<b>NRS 20x4</b>	4	42	53	6 x 6
	<b>NRS 20x5</b>	5	42	53	6 x 6
	<b>NRS 20x6</b>	6	42	53	6 x 6
<b>21</b>	<b>NRS 21x5</b>	5	45	56	6 x 6
	<b>NRS 21x8</b>	8	45	56	6 x 6
	<b>NRS 21x10</b>	10	45	56	6 x 6
<b>23</b>	<b>NRS 23x2</b>	2	45	56	6 x 7
	<b>NRS 23x4</b>	4	45	56	6 x 7
	<b>NRS 23x8</b>	8	45	56	6 x 7
<b>25</b>	<b>NRS 25x5</b>	5	53	70	6 x 7
	<b>NRS 25x10</b>	10	53	70	6 x 7
<b>27</b>	<b>NRS 27x2</b>	2	53	68	6 x 7
	<b>NRS 27x4</b>	4	53	68	6 x 7
	<b>NRS 27x8</b>	8	53	68	6 x 7

\* Note: Dimensions with wipers available by request.  
kN x 224.82 = lbs

\*\* Note: All dimensions are in mm unless otherwise indicated.

**NRS NUT STYLES**

D <sub>6</sub>	D <sub>7</sub>	D <sub>8</sub>	L <sub>1</sub> h <sub>12</sub>	L <sub>2*</sub> h <sub>12</sub>	L <sub>3</sub>	L <sub>4</sub>	BF: one-piece flanged nut			SF: split flanged nut		Locknut	EZZE-Mount
							Dynamic Load Ratings	Static Load Ratings	backlash	Dynamic Load Ratings	Static Load Ratings		
							C <sub>a</sub> kN	C <sub>oa</sub> kN	mm	C <sub>a</sub> kN	C <sub>oa</sub> kN		
41	M4	-	31	41	13	14	6.98	17.91	0.02	4.19	8.90	-	-
41	M4	-	31	41	13	14	5.43	18.63	0.02	3.26	9.31	-	-
46	M4	-	31	41	13	14	10.24	26.72	0.02	6.14	13.36	-	-
46	M4	-	31	41	13	14	8.92	27.74	0.02	5.35	13.87	-	-
46	M4	-	31	41	13	14	8.31	31.00	0.02	4.88	15.50	-	-
56	M5	-	35	51	18	16.5	13.47	31.74	0.02	8.80	15.87	MKR 12x1	EZRF-3012
56	M5	-	35	51	18	16.5	11.94	33.00	0.02	7.16	16.50	MKR 12x1	EZRF-3012
56	M5	-	35	51	18	16.5	11.20	36.90	0.02	6.72	18.45	MKR 12x1	EZRF-3012
64	M6	-	55	65	20	22.5	33.00	66.00	0.02	19.80	33.00	MKR 15x1	EZRF-3015
64	M6	-	55	65	20	22.5	29.54	68.63	0.02	17.72	34.31	MKR 15x1	EZRF-3015
64	M6	-	55	65	20	22.5	27.80	76.73	0.02	16.68	38.37	MKR 15x1	EZRF-3015
64	M6	-	55	65	20	22.5	26.42	79.14	0.02	15.91	39.13	MKR 15x1	EZRF-3015
68	M6	26	64	72	18	23	40.70	68.70	0.02	24.40	34.20	MKR 17x1	EZRF-3017
68	M6	26	64	72	18	23	44.20	69.00	0.02	26.50	34.50	MKR 17x1	EZRF-3017
68	M6	26	64	72	18	23	47.90	69.50	0.02	28.70	35.00	MKR 17x1	EZRF-3017
67	M6	30	55	65	20	22.5	24.63	33.40	0.02	24.63	33.40	MKR 17x1	EZRF-3017
67	M6	30	55	65	20	22.5	24.17	32.19	0.02	24.17	32.19	MKR 17x1	EZRF-3017
67	M6	30	55	65	20	22.5	23.14	34.51	0.04	23.14	34.51	MKR 17x1	EZRF-3017
84	M6	32	78	90	20	29	52.70	92.00	0.02	31.60	46.00	MKR 20x1	EZRF-3020
84	M6	32	78	90	20	29	60.50	89.50	0.04	36.30	44.70	MKR 20x1	EZRF-3020
83	M6	35	55	69	22	23.5	44.32	77.66	0.02	26.70	38.83	MKR 25x1.5	EZRF-3025
83	M6	35	55	69	22	23.5	40.34	80.76	0.02	24.30	40.38	MKR 25x1.5	EZRF-3025
83	M6	35	55	69	22	23.5	42.10	99.26	0.04	25.36	49.63	MKR 25x1.5	EZRF-3025