

Standard Screw Lengths	PART NUMBERS	
	RH	RHSS
2 FT.	SRT6736	SRT6700
4 FT.	SRT6740	SRT6704
6 FT.	SRT6744	SRT6846

Custom cut lengths available up to 24' for alloy, up to 12' for stainless.  
For longer lengths contact Customer Service.

# 0500-0500 SRT

**LEAD ACCURACY:** ±0.004 in./ft.

Double Start

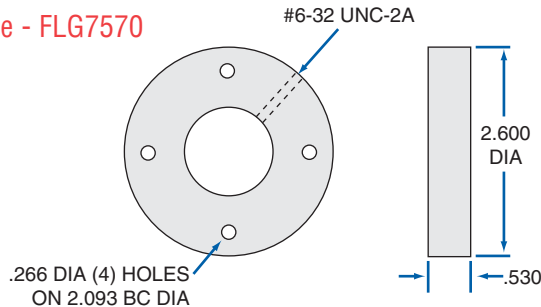
- 0.500** Ball Circle Diameter
- 0.500** Lead
- 0.360** Root Diameter
- 0.125** Nominal Ball Diameter
- 0.50** Screw Weight (lbs./ft.)

SBN Double Circuit Ball Nut			30 bearing balls per circuit - 60 total per nut
PRODUCT SPECIFICATIONS	RH	RH Nickel Plated	
Dynamic Load (lbs.)	786	786/141*	
Static Load (lbs.)	4,131	4,131/744*	
Torque to Raise 1 lb. (in.-lb.)	.088	.088	
Nut Weight (lbs.)	.27	.27	
Ball Nut Number	SBN9582	SBN9582E	
Flange Part Number	FLG7570	FLG7570	
Wiper Kit Part Number	—	—	

\*Load rating for stainless steel screw

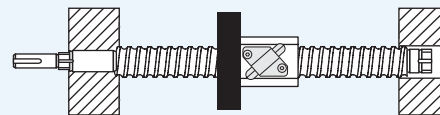
SBN Double Circuit Ball Nut		30 bearing balls per circuit - 60 total per nut
PRODUCT SPECIFICATIONS	RH	
Dynamic Load (lbs.)	786	
Static Load (lbs.)	4,131	
Torque to Raise 1 lb. (in.-lb.)	.088	
Nut Weight (lbs.)	.26	
Ball Nut Number	SBN7506	
Flange Part Number	—	
Wiper Kit Part Number	—	

## Flange - FLG7570



## BALL SCREW ASSEMBLIES

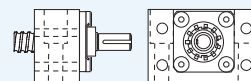
These assemblies are shipped with screw, nut, flange, and bearing supports.



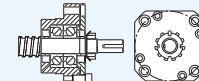
See page 145 for complete product details.

## EZZE-MOUNT™ END BEARING SUPPORTS

A convenient solution for mounting ball screw assemblies.



Single or Double Bearing  
Universal Mount



Single or Double Bearing  
Flange Mount

See page 214 for complete product details.

## LUBRICANT

Prolong ball screw and nut performance with this special lubricant.



E-900 12oz. Spray or 32oz. Liquid  
See page 95 for complete product details.

