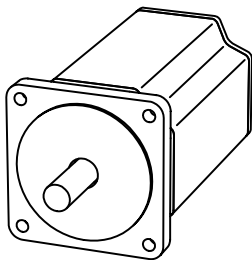
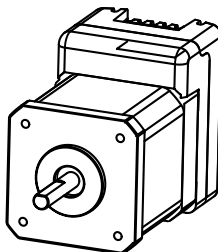




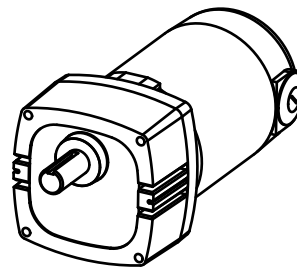
**Motors**



Servo

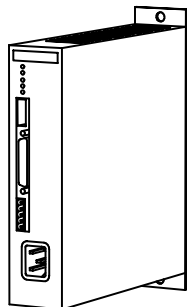


Stepper

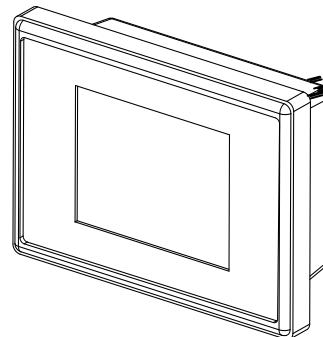
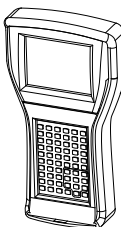


AC & DC Gear Motor

**Controls & Drives**



**Interface Products**



# Motors and Control Units



**(877) 915-7100**

**[www.precisionactuator.com](http://www.precisionactuator.com)**



**DC, AC, Stepper and Servo Motors, Drives,  
Controls and Keypad Human Machine Interfaces are available.**

Nook Industries offers a broad range of products to meet application requirements,

contact **CUSTOMER SERVICE at (216) 378-9922**

by email at **engineering@precisionactuator.com.**

or by **fax at (216) 378-9923** to discuss your requirements.

For inquires or quotations email **sales@precisionactuator.com.**