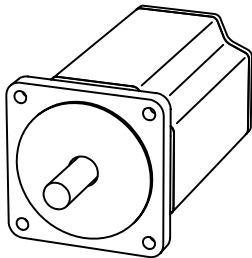
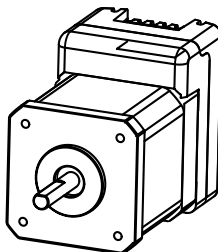




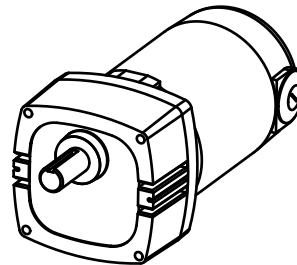
Motors



Servo

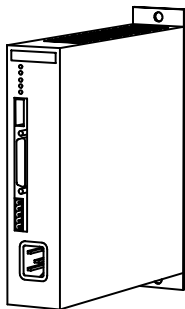


Stepper

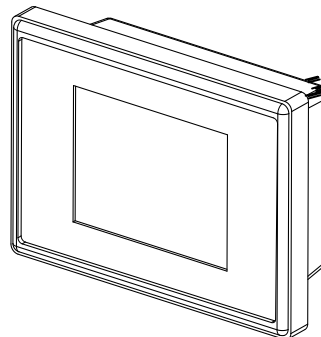
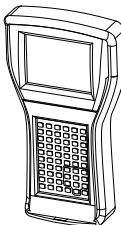


AC & DC Gear Motor

Controls & Drives



Interface Products



Motors and Control Units



(877) 915-7100

www.precisionactuator.com



**DC, AC, Stepper and Servo Motors, Drives,
Controls and Keypad Human Machine Interfaces are available.**

Nook Industries offers a broad range of products to meet application requirements,

contact **CUSTOMER SERVICE at (216) 378-9922**

by email at **engineering@precisionactuator.com.**

or by **fax at (216) 378-9923** to discuss your requirements.

For inquires or quotations email **sales@precisionactuator.com.**