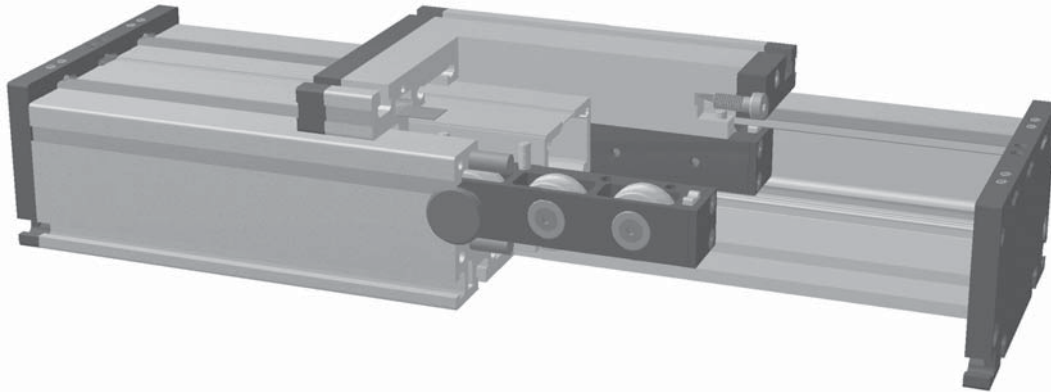


Modular Linear Actuator DLR 120, 160, 200

Roller Unit—Non-Driven



Function:

This unit consists of a rectangular aluminium profile with 2 integrated roller guides. The openings of the guide body are sealed with 3 stainless steel cover bands to protect the guide from splash water and dust. Alternatively, the opening can also be covered with a bellow or can be delivered without cover bands. The roller guide is either driven by an internal pneumatic cylinder or other devices or it serves as load carrying linear slide.

Fitting length: As required. Max. length 6,000 mm single/extrusion.

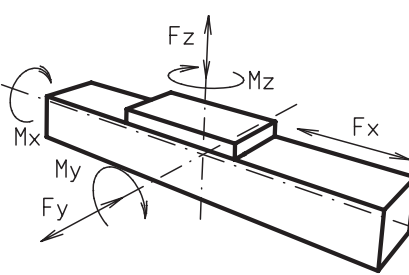
Carriage mounting: T-slots

Unit mounting: T-slots and mounting sets. The linear axis can be combined with any T-slot profile.

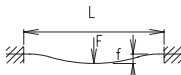
Carriage support: In the standard version, the carriage runs on 8 rollers which can be adjusted and serviced at a central servicing position. For longer carriages the number of rollers can be increased.



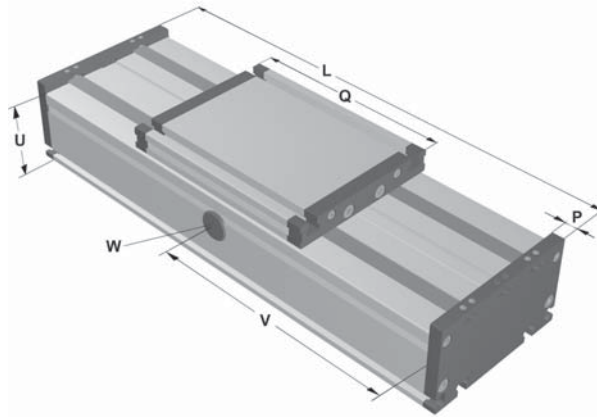
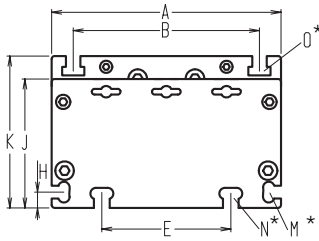
6

Forces and torques	Size		120		160		200	
	Forces/Torques		static	dynamic	statisch	dynam.	statisch	dynam.
	F_x (N)	-	-	-	-	-	-	-
	F_y (N)	1100	900	3000	2000	4400	3100	
	F_z (N)	1250	1000	3500	2800	4900	4400	
	M_x (Nm)	150	125	400	320	600	510	
	M_y (Nm)	140	120	360	300	560	480	
	M_z (Nm)	100	90	180	150	310	275	
	Speed							
(m/sec) max	4		6		8			
Geometrical moments of inertia of aluminium profile								
I_x mm ⁴	6,6x10 ⁵		22,2x10 ⁵		63,8x10 ⁵			
I_y mm ⁴	38,6x10 ⁵		122,0x10 ⁵		335,0x10 ⁵			
Elastic modulus N/mm ²	70000		70000		70000			

Formula: DLR

$$f = \frac{F \cdot L^3}{E \cdot I \cdot 192}$$


f = deflection (mm)
 F = load (N)
 L = free length (mm)
 E = elastic modulus 70000 (N/mm²)
 I = second moment of area (mm⁴)

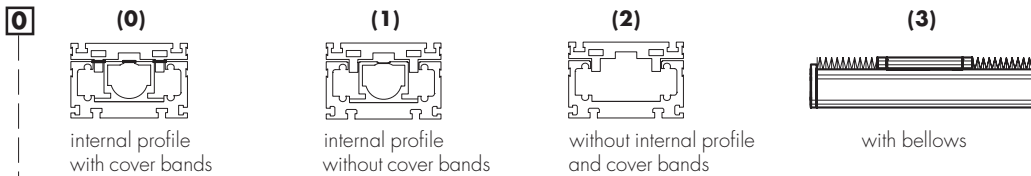


Increasing the carriage length will increase the basic length by the same amount.

*For T-nuts refer to accessory section W = servicing position

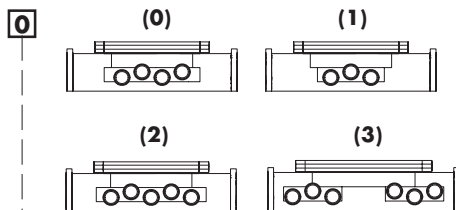
Size	Basic length L	A	B	E	H	J	K	M	N	O	P	Q	U	Basic weight	Additional Weight per 100 mm
DLR 120	200	120	96	78	10	68	79	M5	M6	M6	10	156	60	3,2 kg	0,71 kg
DLR 160	240	160	130	90	11	90	106	M6	M8	M8	12	200	80	6,9 kg	1,42 kg
DLR 200	320	200	160	140	15	110	129	M8	M10	M10	15	270	100	11,4 kg	2,30 kg

Choice of guide body profile:



Stainless guide body profile upon request.

Arrangement of rollers:



Size	Version 0		Version 1		Version 2		Version 3	
	Q	L	Q	L	Q	L	Q	L
120	156	200	156	200	196	240	>236	>280
160	200	240	200	240	250	290	>300	>340
200	270	320	270	320	330	380	>410	>470

1500 Basic length + stroke = total length

DLR 160 0 0 0 0 0 0 0 0 0 1500
Pos. 1 2 3 4 5 6 7

Inductive proximity switch sets, which can be mounted inside of the square profile, are available as accessories. Coupling and a special plug are mounted from the outside. See accessory section.



Sample ordering code:
DLR160, with internal profile and cover bands, standard rollers, 1260 mm stroke.

