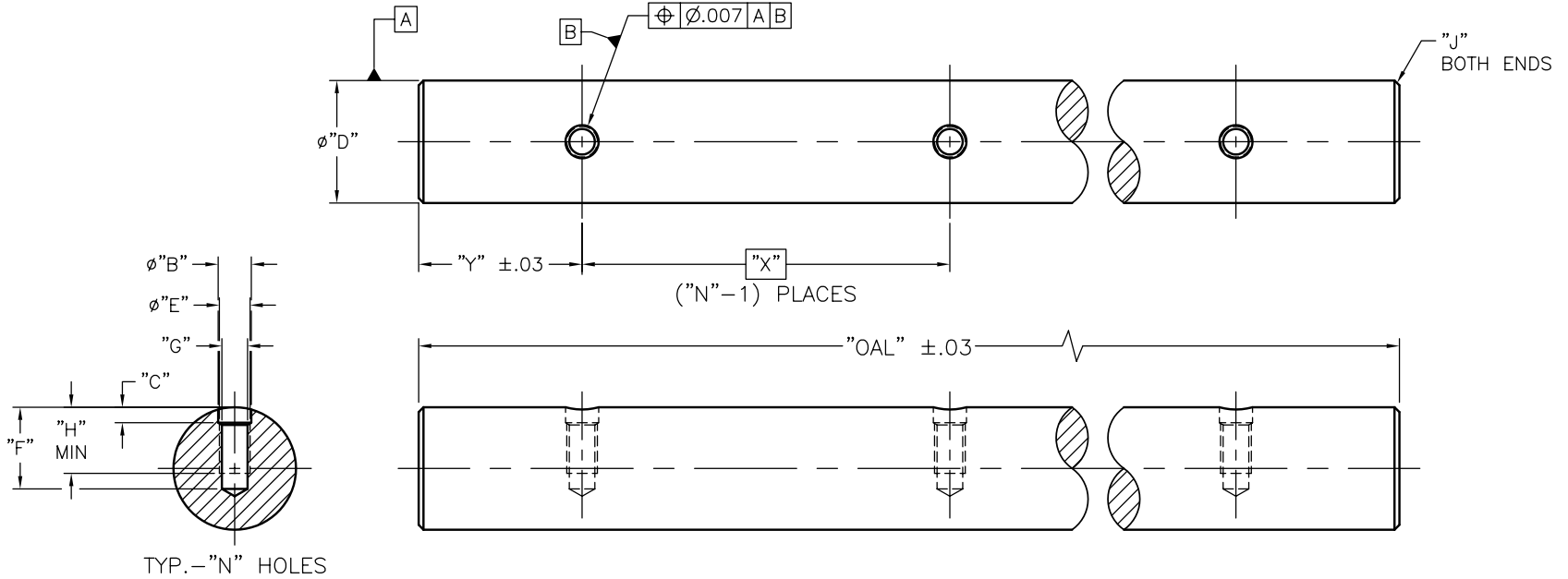


ITEM	DESCRIPTION
PART NUMBER:	
MATERIAL: SL-XX FOR STAINLESS*	
OVERALL LENGTH (OAL): MAX. LENGTH = 144"	
HOLE SPACING (X):	
# OF HOLES (N):	
END TO 1st HOLE (Y):	

$N = ((OAL - .5X) / X) + 1$ (DROP DECIMAL)
 $Y = (OAL - X(N - 1)) / 2$ (FOR EQUAL "Y" ON EACH END)

PART NUMBER	SHAFT DIA.	C'BORE		FORM TAP DRILL			THREAD					NOOK STANDARD HOLE SPACINGS		MAZAK PROG. #
		"D"	"B"	"C"	"E"	"F"	"G"	"H"	"J"	"X"	"Y"			
<input type="checkbox"/> PDL 1/2"-XX	.4995/.4990	.187	.12	.126	.38	#6-32 UNC-2B	.30	.03	4.000	2.00	22			
<input type="checkbox"/> PDL 5/8"-XX	.6245/.6240	.187	.125	.150	.43	#8-32 UNC-2B	.34	.03	4.000	2.00	21			
<input type="checkbox"/> PDL 3/4"-XX	.7495/.7490	.218	.125	.177	.56	#10-32 UNF-2B	.44	.03	6.000	3.00	30			
<input type="checkbox"/> PDL 1"-XX	.9995/.9990	.281	.20	.228	.78	1/4-20 UNC-2B	.63	.03	6.000	3.00	24			
<input type="checkbox"/> PDL 1-1/4"-XX	1.2495/1.2490	.344	.20	.291	.86	5/16-18 UNC-2B	.69	.06	6.000	3.00	65			
<input type="checkbox"/> PDL 1-1/2"-XX	1.4994/1.4989	.406	.20	.350	1.00	3/8-16 UNC-2B	.81	.06	8.000*	4.00	40			
<input type="checkbox"/> PDL 2"-XX	1.9994/1.9987	.531	.25	.437	1.25	1/2-13 UNC-2B	1.00	.06	8.000*	4.00	14			

*Y = 2.00 FOR 36" & 108" SHAFT LENGTHS



DRAWING # _____
 P.O. # _____
 CUSTOMER: _____

UNLESS OTHERWISE SPECIFIED: DIMENSIONS ARE IN INCHES TOL ON ANGLE ±1° 1 PL ±.030 2 PL ± .015 3 PL ± .005 125 INTERPRET DIM AND TOL PER ASME Y14.5M - 1994	DR BY: CMP DATE: 01/28/04 CHK'D BY: GZ DATE: 03/19/04 APPROVED BY: FGM DATE: 03/24/04	NOOK THE LINEAR MOTION PEOPLE NOOK INDUSTRIES, INC. 4850 EAST 49TH STREET CUYAHOGA HEIGHTS, OHIO 44125-1018 USA
	THIRD ANGLE PROJECTION 	THIS DRAWING IS THE PROPERTY OF NOOK INDUSTRIES INC. AND CANNOT BE REPRODUCED WITHOUT THE EXPRESSED WRITTEN CONSENT OF NOOK INDUSTRIES INC.

customer reference: _____

Request for Quotation



Fax: 216.271.7020

Date: _____

Pages (including this cover): _____

Customer: _____

Address: _____ City: _____

State/Province: _____ Country: _____ Zip: _____

Contact Name: _____

Phone: _____ Fax: _____

E-mail _____

Template Name

Quantity

_____	_____
_____	_____
_____	_____

Fax a copy of your drawing or select a template that best matches your application requirements.

1. Fill in all available data with tolerance in either inch or metric units.
2. If a specification is not on the template add it, the applicable dimensions and tolerances.
3. If a specification is not required but is on the template, draw a line through it, and mark the item description with N/A.
4. Include additional notes to the template to aid in quoting and manufacturing.

Fax this cover sheet along with template drawing to **CUSTOMER SERVICE AT: 216.271.7020**

For questions or help in selecting the best solution for your application requirements, please contact

APPLICATION ENGINEERING at: **800.321.7800** or e-mail: **engineering@nookind.com**

These templates are available in pdf format online
www.nookindustries.com

Nook Industries, Inc. 4950 East 49th Street, Cleveland Ohio 44125-1016