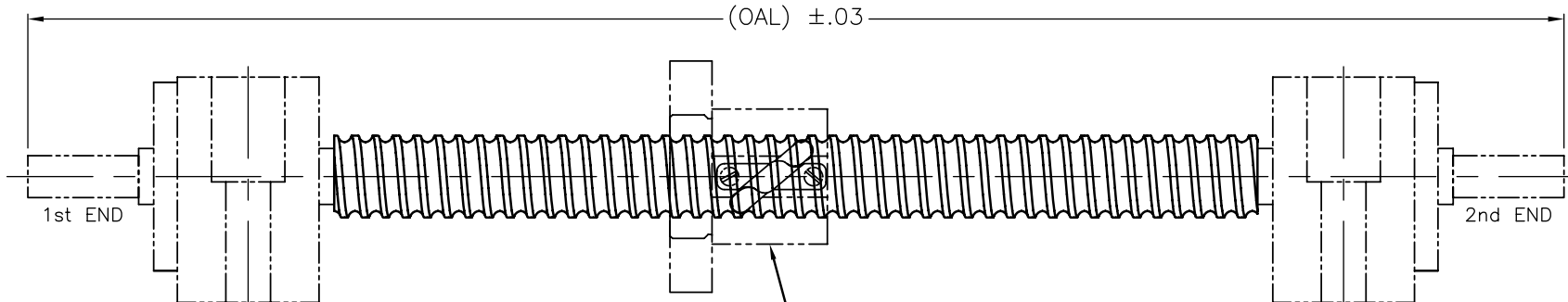


ITEM	DESCRIPTION
OVERALL LENGTH (OAL):	
MATERIAL:	
1st END CODE:	
2nd END CODE:	



EZZE-MOUNT:

COVER FACING SHAFT END
 COVER FACING BALL THREAD

BALL NUT:

WIPER KIT:

FLANGE:

FLANGE PINNED TO BALL NUT

EZZE-MOUNT:

COVER FACING SHAFT END
 COVER FACING BALL THREAD

STANDARD NUT/FLANGE DIRECTION SHOWN
 (FLANGE/THREADED END TOWARD 1st END DESIGNATION)

CONFIGURATION *#: _____ / _____ / _____ / _____ / _____ / _____

* Refer to the ball screw section in the Linear Motion Design Guide for details

DRAWING # _____

P.O. # _____

CUSTOMER: _____

UNLESS OTHERWISE SPECIFIED: DIMENSIONS ARE IN INCHES TOL ON ANGLE ±1° 1 PL ±.030 2 PL ± .015 3 PL ± .005 125/ INTERPRET DIM AND TOL PER ASME Y14.5M - 1994	DR BY: _____	DATE: _____	NOOK THE LINEAR MOTION PEOPLE NOOK INDUSTRIES, INC. 4950 EAST 49TH STREET CUYAHOGA HEIGHTS, OHIO 44125-1016 USA
	CHK'D BY: _____	DATE: _____	
THIRD ANGLE PROJECTION	APPROVED BY: _____	DATE: _____	TITLE: BALL SCREW ASSEMBLY SIZE: C CASE CODE: 57855 DWG NO.: BSA-TMPLT SCALE: N/A SHEET 1 OF 1



Request for Quotation



Fax: 216.271.7020

Date: _____

Pages (including this cover): _____

Customer: _____

Address: _____ City: _____

State/Province: _____ Country: _____ Zip: _____

Contact Name: _____

Phone: _____ Fax: _____

E-mail _____

Template Name

Quantity

Template Name	Quantity
_____	_____
_____	_____
_____	_____

Fax a copy of your drawing or select a template that best matches your application requirements.

1. Fill in all available data with tolerance in either inch or metric units.
2. If a specification is not on the template add it, the applicable dimensions and tolerances.
3. If a specification is not required but is on the template, draw a line through it, and mark the item description with N/A.
4. Include additional notes to the template to aid in quoting and manufacturing.

Fax this cover sheet along with template drawing to **CUSTOMER SERVICE AT: 216.271.7020**

For questions or help in selecting the best solution for your application requirements, please contact

APPLICATION ENGINEERING at: **800.321.7800** or e-mail: **engineering@nookind.com**

These templates are available in pdf format online
www.nookindustries.com

Nook Industries, Inc. 4950 East 49th Street, Cleveland Ohio 44125-1016