



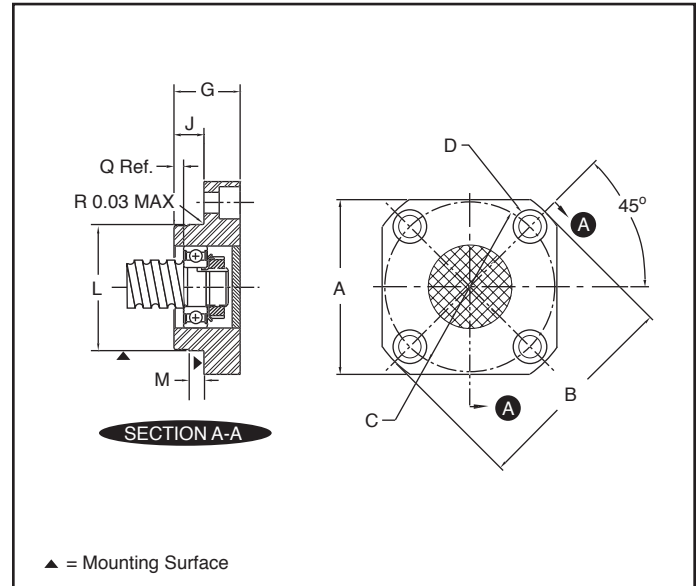
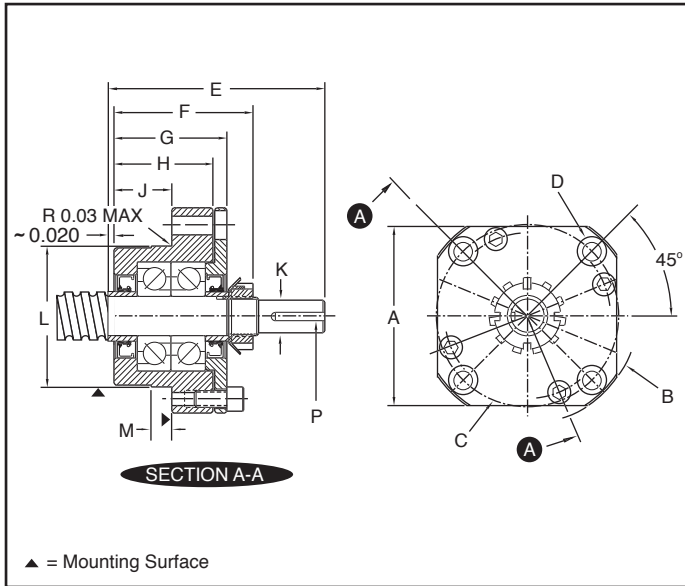
Flange-Mount Double

Double Angular Contact Bearing, which should be used with Type 3 Standard Ends



Flange-Mount Single

Single Radial Bearing, which should be used with Type 1 Standard Ends



When mounting Ezze-Mounts opposite to what is shown, contact Nook engineering for proper dimensions.

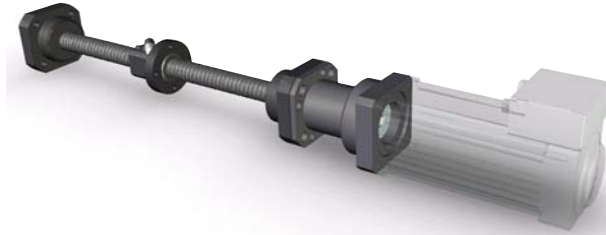
EZZE-MOUNT™ END BEARING SUPPORTS TECHNICAL DATA

| DOUBLE Part No. | SINGLE Part No. | A Sq. | B Dia. | C Bolt Circle | D Thru C'Bore | E | F | G | | H | J | | K Shaft Dia. | L | M | P | Q | MACHINED END CODE |
|-----------------|-----------------|-------|--------|---------------|---------------|------|------|--------|--------|------|--------|--------|----------------|------------------|-------|-------|------|-------------------|
| | | | | | | | | Single | Double | | Single | Double | | | | | | |
| EZF-1007 | EZF-4007 | 1.88 | 2.44 | 1.875 | 0.266 0.44 | 1.94 | 1.44 | 1.00 | 1.06 | 0.82 | 0.40 | 0.50 | 0.187 0.186 | 1.3775 1.3770 | 0.188 | 0.063 | 0.13 | 7 |
| EZF-1008 | EZF-4008 | 1.88 | 2.44 | 1.875 | 0.266 0.44 | 2.00 | 1.44 | 1.00 | 1.06 | 0.82 | 0.40 | 0.50 | 0.250 0.249 | 1.3775 1.3770 | 0.188 | 0.094 | 0.13 | 8 |
| EZF-1009 | EZF-4009 | 2.00 | 2.60 | 2.000 | 0.266 0.44 | 2.38 | 1.81 | 1.00 | 1.33 | 1.09 | 0.44 | 0.71 | 0.250 0.249 | 1.4957 1.4951 | 0.188 | 0.094 | 0.13 | 9 |
| EZF-3010 | EZF-4010 | 2.00 | 2.60 | 2.000 | 0.266 0.44 | 2.50 | 1.81 | 1.00 | 1.33 | 1.09 | 0.44 | 0.71 | 0.312 0.311 | 1.4957 1.4951 | 0.190 | 0.125 | 0.13 | 10 |
| EZF-3012 | EZF-4012 | 2.50 | 3.17 | 2.500 | 0.266 0.44 | 3.29 | 1.99 | 1.15 | 1.57 | 1.38 | 0.55 | 0.75 | 0.406 0.405 | 1.8894 1.8888 | 0.312 | 0.125 | 0.13 | 12 |
| EZF-3015 | EZF-4015 | 2.70 | 3.27 | 2.750 | 0.281 0.44 | 3.50 | 2.10 | 1.25 | 1.71 | 1.50 | 0.63 | 0.88 | 0.500 0.499 | 2.1256 2.1250 | 0.312 | 0.125 | 0.20 | 15 |
| EZF-3017 | EZF-4017 | 3.38 | 4.03 | 3.250 | 0.344 0.53 | 3.65 | 2.33 | 1.32 | 1.93 | 1.63 | 0.63 | 0.94 | 0.500 0.499 | 2.5193 2.5185 | 0.312 | 0.125 | 0.20 | 17 |
| EZF-2020 | EZF-4020 | 3.38 | 4.03 | 3.250 | 0.344 0.53 | 4.03 | 2.71 | 1.47 | 1.98 | 1.72 | 0.72 | 1.03 | 0.625 0.624 | 2.5193 2.5185 | 0.312 | 0.188 | 0.20 | 20 |
| EZF-3025 | EZF-4025 | 4.38 | 5.31 | 4.250 | 0.531 0.81 | 4.45 | 2.89 | 1.67 | 2.36 | 1.94 | 0.76 | 1.19 | 0.750 0.749 | 3.1492 3.1482 | 0.375 | 0.188 | 0.25 | 25 |
| EZF-2030 | EZF-4030 | 4.38 | 5.31 | 4.250 | 0.531 0.81 | 4.86 | 3.05 | 1.67 | 2.36 | 1.94 | 0.76 | 1.19 | 1.000 0.999 | 3.1492 3.1482 | 0.375 | 0.250 | 0.25 | 30 |

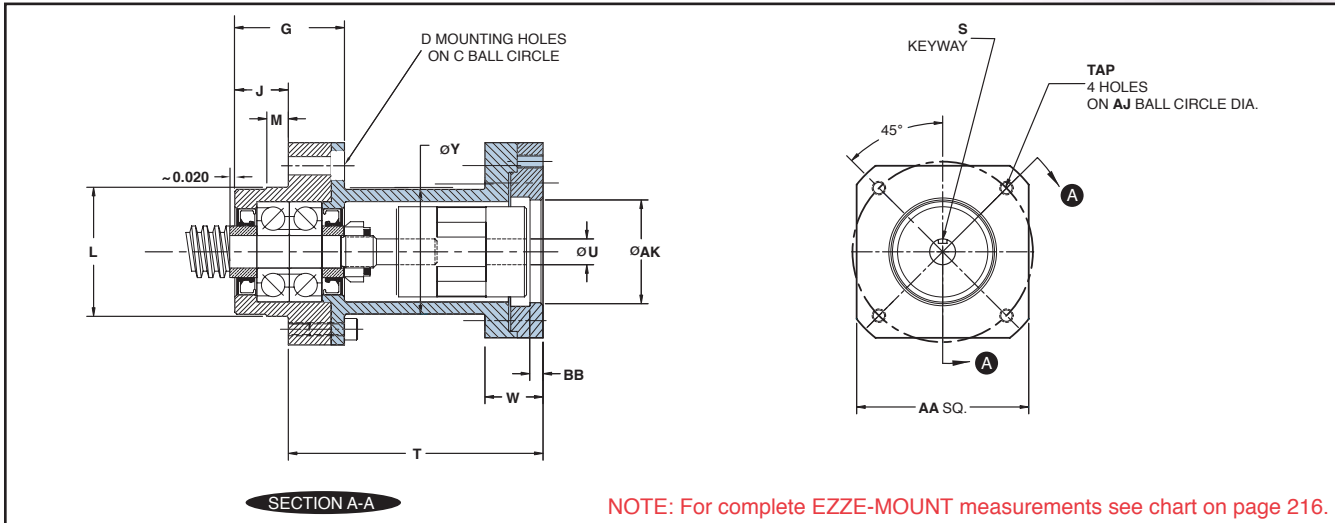


Flange-Mount with Motor Mount

Flange-Mount with motor mount includes an EZZE-MOUNT block with a motor mount for easy, accurate installation of ball screw and acme screw assemblies.



EZZE-MOUNT™ END BEARING SUPPORTS TECHNICAL DATA



NOTE: For complete EZZE-MOUNT measurements see chart on page 216.

| Part No. | Ref. Code | Nema Frame Ref. | AA | BB | T | U | S | Y | W | AK | AJ | TAP |
|-------------|-----------|-----------------|-----------|------|------|------|-------|------|------|-------------|-------|----------------|
| EZF-1008-17 | Y1 | 17 | 1.75 | 0.25 | 2.84 | 0.25 | 0.094 | 2.2 | 0.52 | .868/.871 | 1.725 | #8-32 |
| EZF-1009-23 | Y2 | 23 | 2.50 | 0.19 | 3.41 | 0.50 | 0.125 | 2.1 | 0.88 | 1.503/1.506 | 2.625 | #10-32 |
| EZF-3010-23 | Y2 | 23 | 2.50 | 0.19 | 3.41 | 0.50 | 0.125 | 2.1 | 0.88 | 1.503/1.506 | 2.625 | #10-32 |
| EZF-3012-23 | Y2 | 23 | 2.50 | 0.19 | 3.70 | 0.50 | 0.125 | 1.81 | 0.88 | 1.503/1.506 | 2.625 | #10-32 |
| EZF-3012-34 | Y3 | 34 | 3.25 | 0.16 | 4.14 | 0.50 | 0.125 | 1.81 | 1.31 | 2.878/2.882 | 3.875 | #10-32 |
| EZF-3015-23 | Y2 | 23 | 2.50 | 0.19 | 3.84 | 0.50 | 0.125 | 1.98 | 0.88 | 1.503/1.506 | 2.625 | #10-32 |
| EZF-3015-34 | Y3 | 34 | 3.25 | 0.16 | 4.28 | 0.50 | 0.125 | 1.98 | 1.31 | 2.878/2.882 | 3.875 | #10-32 |
| EZF-3017-34 | Y3 | 34 | 3.25 | 0.16 | 4.62 | 0.50 | 0.125 | 2.25 | 1.67 | 2.878/2.882 | 3.875 | #10-32 |
| EZF-3017-42 | Y4 | 42 | 4.50 | 0.19 | 5.37 | 0.63 | 0.188 | 2.25 | 2.41 | 2.504/2.508 | 5.000 | 1/4"-20 |
| EZF-2020-34 | Y3 | 34 | 3.25 | 0.16 | 4.92 | 0.50 | 0.125 | 2.37 | 1.67 | 2.878/2.882 | 3.875 | #10-32 |
| EZF-2020-42 | Y4 | 42 | 4.50 | 0.19 | 5.67 | 0.63 | 0.188 | 2.37 | 2.41 | 2.504/2.508 | 5.000 | 1/4"-20 |
| EZF-3025-34 | Y3 | 34 | 4.00 | 0.16 | 5.24 | 0.50 | 0.125 | 3.00 | 1.67 | 2.878/2.882 | 3.875 | #10-32 |
| EZF-3025-42 | Y4 | 42 | 4.50 | 0.19 | 5.98 | 0.63 | 0.188 | 3.00 | 2.41 | 2.504/2.508 | 5.000 | 1/4"-20 |
| EZF-2030-34 | Y3 | 34 | 4.00 | 0.16 | 5.78 | 0.50 | 0.125 | 3.00 | 1.67 | 2.878/2.882 | 3.875 | #10-32 |
| EZF-2030-42 | Y4 | 42 | 4.50 | 0.19 | 6.53 | 0.63 | 0.188 | 3.00 | 2.41 | 2.504/2.508 | 5.000 | 1/4"-20 |
| EZF-2030-56 | Y5 | 56C | 6.63 dia. | 0.19 | 6.60 | 0.63 | 0.188 | 3.00 | 2.42 | 4.502/4.506 | 5.875 | 0.41 dia. Thru |

HOW TO ORDER EZF MOTORMOUNT

EXAMPLE:

105-RA / **Y3** / 4N / 41.87 / 20105 / FS
 EZF-3017-34

EXAMPLES OF EZF DESIGNATIONS:

Y1, Y2, Y3, Y4 = Standard Mount available above
 YX = modified, further description needed (ie: Special Frame)