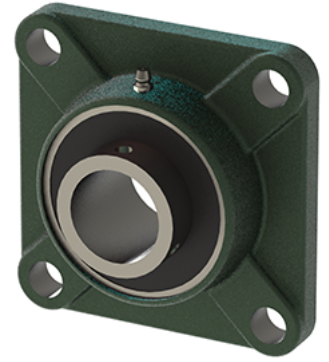
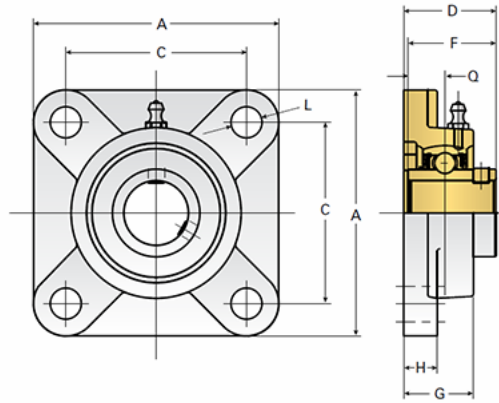


EZCF205

Call 800-321-7800 or visit us online at www.nookindustries.com to configure and order your EZCF205 today!



Details	
Bore Diameter [mm]	25
Dimensions	
A [mm]	95
C [mm]	70
D [mm]	35.7
F [mm]	34
G [mm]	27
H [mm]	13
L [mm]	12
Q [mm]	14.36
Product Compatibility Selection	
BSJ	5/5HL/10/10HL-BSJ
MSJ	-
SS-MSJ	-
EM-BSJ	EM5-BSJ
EM-MSJ	EM5-MSJ
Bevel	G2
Link Shafting	-