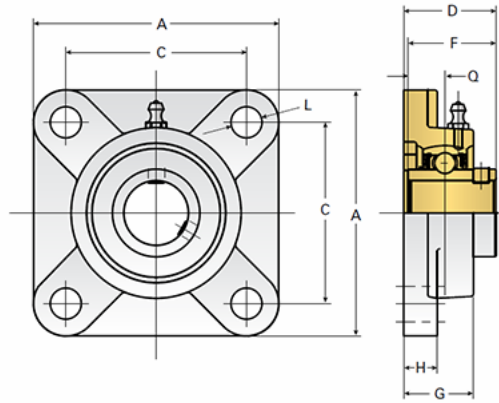


EZCF209-28

Call 800-321-7800 or visit us online at www.nookindustries.com to configure and order your EZCF209-28 today!



Details	
Bore Diameter [in]	1.75
Dimensions	
A [mm]	137
C [mm]	105
D [mm]	52.2
F [mm]	49.2
G [mm]	38
H [mm]	16
L [mm]	16
Q [mm]	19
Product Compatibility Selection	
BSJ	-
MSJ	20-MSJ
SS-MSJ	20SS-MSJ
EM-BSJ	-
EM-MSJ	-
Bevel	-
Link Shafting	-